

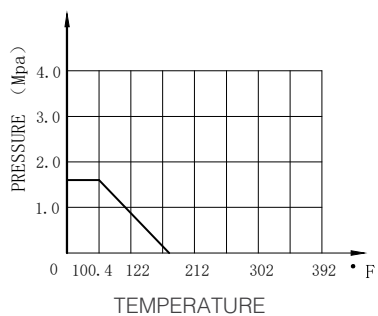
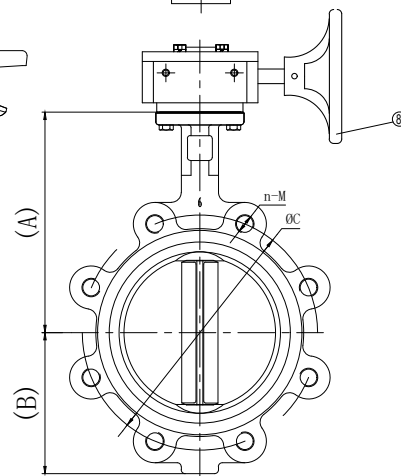
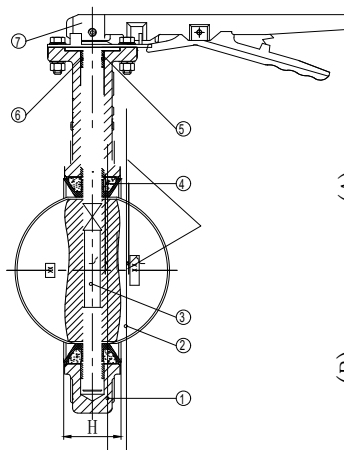
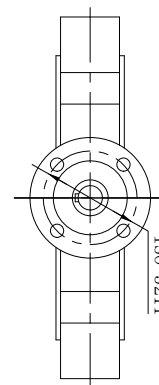
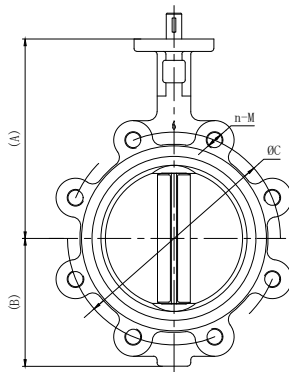
Lug Style Butterfly Valve 200 PSI



GENERAL CHARACTERISTICS

Comply with ISO 5752/ BS 5155
 BS EN 593/MSS SP-67/API 609
 Lever / Worm Gear Operator, Epoxy Coated

8	Worm Gear	/
7	Handle	/
6	O-Ring	NBR
5	Axle Sleeve	PTFE
4	Seat	NBR/EPDM
3	Stem	2Cr13
2	Disc	Ni-Di/CF8M
1	Body	DI
Item	Name	Material



DN	INCH	H	A	B	ISO5211	
					Top Flange	150 LB
mm	in				ØC	n-M
50	2	1.69	6.34	3.15	F05	4-5/8"
65	2.5	1.81	6.89	3.5	F05	4-5/8"
80	3	1.81	7.13	3.74	F05	4-5/8"
100	4	2.05	7.87	4.49	F07	8-5/8"
125	5	2.2	8.39	5	F07	8-3/4"
150	6	2.2	8.9	6.42	F07	8-3/4"
200	8	2.36	10.24	6.89	F10	8-3/4"
250	10	2.68	11.5	7.99	F10	12-7/8"
300	12	3.07	13.27	9.53	F10	12-7/8"
350	14	3.07	14.49	10.51	F10	12-1"

Part Number Decoder

Butterfly Valve Part Number

BF 71 D N G L /100

Butterfly Valve

Design Number	
	Resilient Seated
	High Performance Double Offset
	Triple Offset

Disc	
D	Ductile Iron Disc
S	SS316 Disc

Seat	
N	Buna
E	EPDM
V	Viton
M	Metal to Metal
R	RPTFE
F	PTFE

Connection Type	
L	Lug
W	Wafer
F	Flanged

Size	
200	2"
250	2-1/2"
300	3"
400	4"
500	5"
600	6"
800	8"
1000	10"
1200	12"

Body	
G	Ductile Iron Epoxy Coated
4	Stainless Steel 304
5	Carbon Steel A216
6	Stainless Steel 316