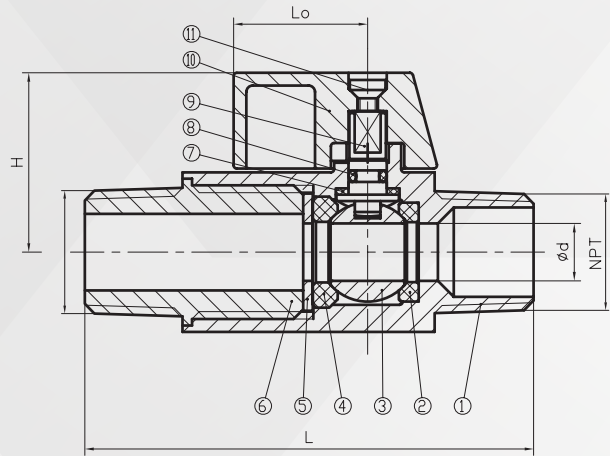
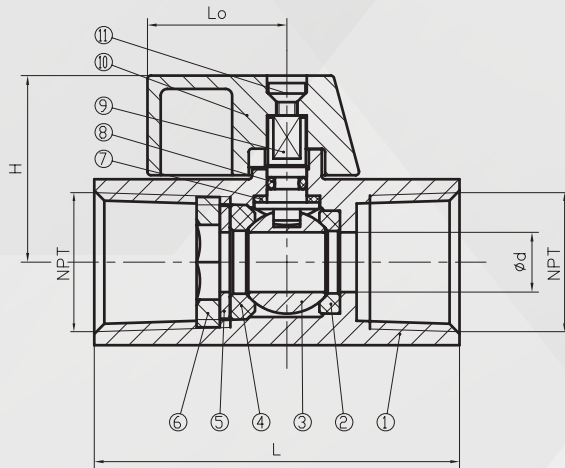
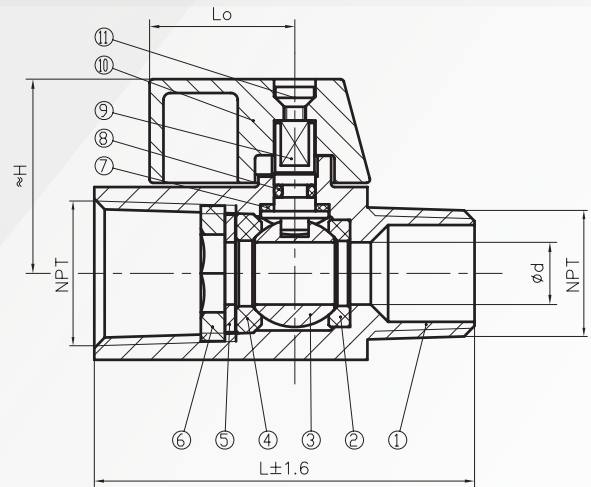


## Mini Ball Valves - NPT Threaded (Female x Female, Male x Female, Male x Male)



|    |             |
|----|-------------|
| 11 | BOLT        |
| 10 | HANDLE      |
| 9  | STEM        |
| 8  | O-RING      |
| 7  | STEM WASHER |
| 6  | BONNET      |
| 5  | GASKET      |
| 4  | SEAT RING 2 |
| 3  | BALL        |
| 2  | SEAT RING 1 |
| 1  | PODY        |



Refer to the diagram and parts list above for a detailed view of each component, assisting with installation, operation, and maintenance for optimal valve performance.

### **OVERVIEW**

Mini Ball Valves are ideal for small line fluid control applications, offering space-saving benefits. These valves are engineered for use with compressed air, water, fuels, gases, and other non-corrosive liquids in industrial environments where compact ball valves are required.



ANIX VALVE CO.LTD, Certified ISO 9001.

[www.anixusa.com](http://www.anixusa.com)

## **INSTALLATION AND OPERATION**

- **Installation:**
  - These quarter-turn (90° rotation) ball valves can be installed in any orientation within the pipeline.
  - For threaded-end models, apply a compatible joint compound or TFE tape to the pipe threads for a secure seal and easier assembly.
  - If using a lever-handled ball valve, it can be installed in any position on the pipeline
- **Operation**
  - To open the valve turn the handle counterclockwise.
  - To close the valve turn the handle clockwise.
- **Safety Precautions**
  - During operation, avoid standing directly in line with the stem axis to reduce the risk of injury.
  - Do not apply excessive force to the handle, as the design accounts for the necessary torque without additional leverage.