

GL41H-Flanged Globe Valve-Class 150/300



GENERAL CHARACTERISTICS

- Full bore
- Design:ASME B16.34
- Face-to-face:ASME B16.10
- Test:API 598
- End Flange RF:ASME B16.5

WORKING CONDITIONS

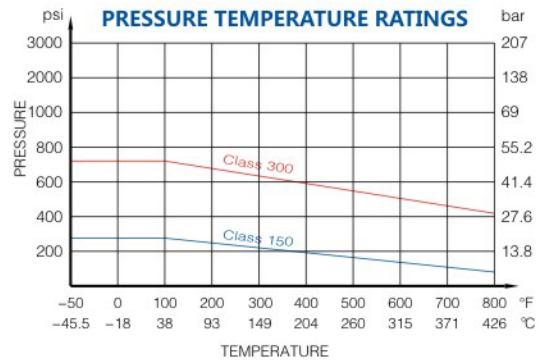
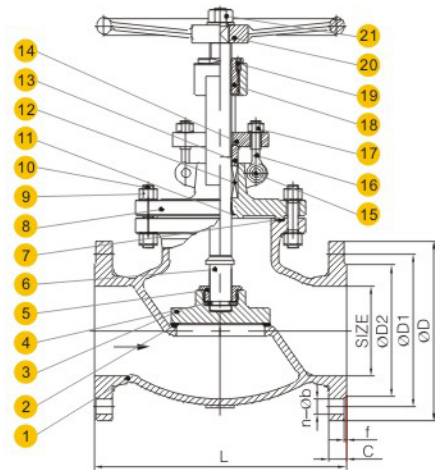
- Working Pressure:Class 150/300
- Temperature Range:-20° to 797°F
- Applicable medium:Water,Oil,Gas



MATERIALS LIST

21	H.W.LOCK NUT	1	C.S
20	HANDWHEEL	1	A395
19	SCREW	1	C.S
18	STEM NUT	1	ZCuAl10Fe3
17	GLAND NUT	2	A194 2H
16	GLAND BOLT	2	A193 B7
15	PIN	2	C.S
14	GLAND	1	A216 WCB
13	BUSHING	1	A182 F6a
12	PACKING	-	Graphite
11	BACKSEAT	1	A216+13Cr
10	NUT	-	A194 2H
9	STUD	-	A193 B7
8	BONNET	1	A216 WCB
7	GASKET	1	SS304+Graphite
6	STEM	1	A182 F6a
5	DISC COVER	1	C.S
4	SPLIT RING	1	C.S
3	DISC	1	A216+13Cr
2	SEAT RING	1	A216+STL
1	BODY	1	A216 WCB
No.	DESCRIPTION	Q'TY	MATERIAL

Note:Please contact us for other material requirements.



DIMENSIONS- Class 150

SIZE	L	D	D1	D2	C	f	n-Ob	Weight(lb)
1 1/2"	6.5	5	3.88	2.87	0.69	0.06	4-Ø0.63	20.06
2"	7.99	5.98	4.74	3.62	0.75	0.06	4-Ø0.75	36.16
2 1/2"	8.5	7.01	5.49	4.11	0.89	0.06	4-Ø0.75	50.71
3"	9.49	7.48	6	5	0.95	0.06	4-Ø0.75	66.14
4"	11.5	9.02	7.5	6.18	0.95	0.06	8-Ø0.75	112.44
5"	14.02	10	8.5	7.3	1.02	0.06	8-Ø0.87	143.3
6"	15.98	10.98	9.51	8.5	1.02	0.06	8-Ø0.87	200.62
8"	19.49	13.5	11.75	10.63	1.14	0.06	8-Ø0.87	304.24
10"	24.49	15.98	14.25	12.76	1.22	0.06	12-Ø0.98	-
12"	27.48	19.02	17.01	15	1.26	0.06	12-Ø0.98	-
14"	30.98	20.98	18.74	16.26	1.38	0.06	12-Ø1.14	-

DIMENSIONS- Class 300

SIZE	L	D	D1	D2	C	f	n-Ob	Weight(lb)
1 1/2"	9.02	6.14	4.5	2.87	0.83	0.06	4-Ø0.87	26.9
2"	10.51	6.5	5	3.62	0.91	0.06	8-Ø0.75	49.6
2 1/2"	11.5	7.48	5.88	4.11	1.02	0.06	8-Ø0.87	73.19
3"	12.52	8.27	6.62	5	1.14	0.06	8-Ø0.87	94.8
4"	14.02	10	7.88	6.18	1.26	0.06	8-Ø0.87	126.77
5"	15.75	10.98	9.25	7.3	1.38	0.06	8-Ø0.87	185.19
6"	17.48	12.52	10.63	8.5	1.46	0.06	12-Ø0.87	282.19
8"	22.01	15	12.99	10.63	1.65	0.06	12-Ø0.98	507.06
10"	24.49	17.52	15.26	12.76	1.89	0.06	16-Ø1.14	-
12"	27.99	20.51	17.76	15	2.01	0.06	16-Ø1.26	-
14"	32.99	22.99	20.26	16.26	2.13	0.06	20-Ø1.26	-