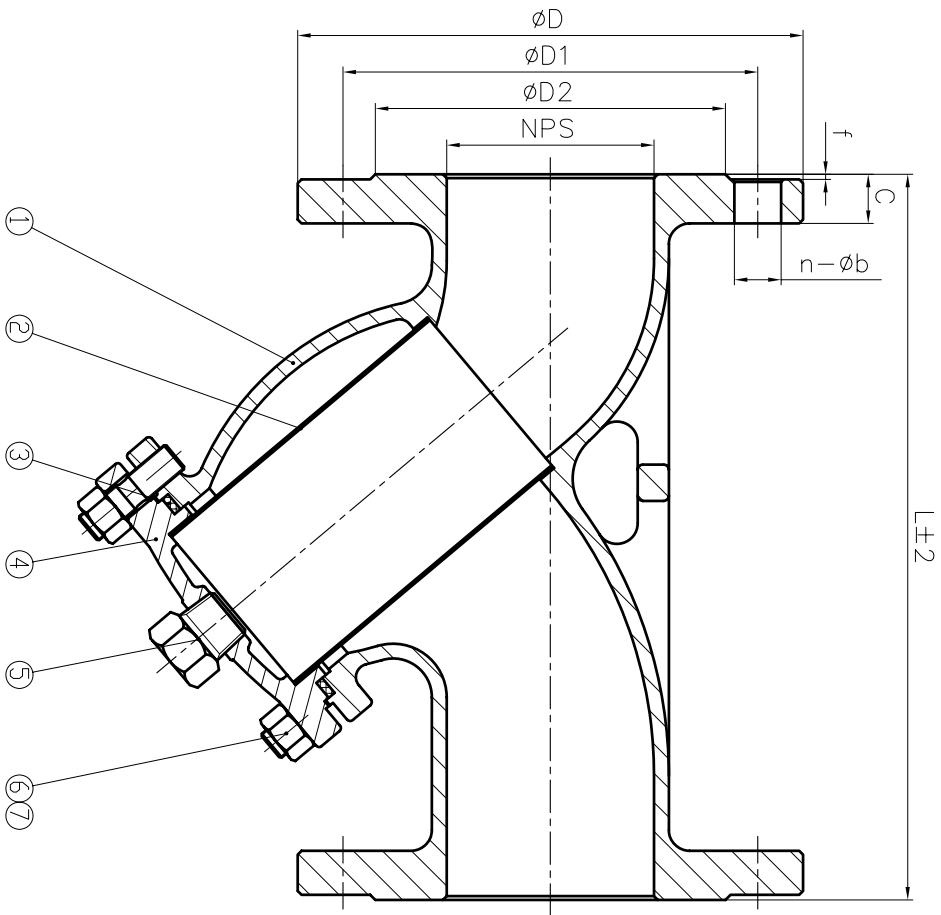


00G/J9M1T5Y1

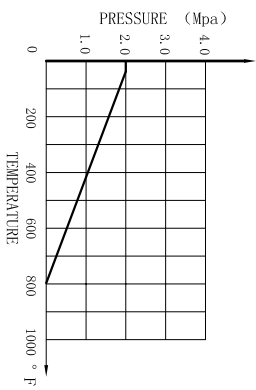


NPS	L	D	D1	D2	C	f	n-φb	Weight (lb)
1/2"	5.118	3.740	2.626	1.374	0.591	0.063	4-φ0.63	-
3/4"	5.906	4.528	3.252	1.689	0.630	0.063	4-φ0.748	-
1"	6.299	4.921	3.500	2.000	0.709	0.063	4-φ0.748	-
1 1/4"	6.693	5.315	3.874	2.500	0.748	0.063	4-φ0.748	-
1 1/2"	7.874	6.102	4.500	2.874	0.827	0.063	4-φ0.866	33.069
2"	8.661	6.496	5.000	3.626	0.906	0.063	8-φ0.748	38.581
2 1/2"	10.236	7.480	5.874	4.126	1.024	0.063	8-φ0.866	46.297
3"	11.024	8.268	6.626	5.000	1.142	0.063	8-φ0.866	61.729
4"	11.811	10.039	7.874	6.189	1.260	0.063	8-φ0.866	85.980
5"	13.780	11.024	9.252	7.311	1.378	0.063	8-φ0.866	110.231
6"	15.157	12.598	10.626	8.500	1.457	0.063	12-φ0.866	132.277
8"	19.094	14.961	13.000	10.626	1.654	0.063	12-φ0.984	231.485

NOTE:

1. Design and Manufacture for valve according to ANSI B16.34-2009.
2. End Flange dimensions for valve according to ASME B16.5-2009.
3. Inspection and Test for valve according to API 598-2009.

Nominal pressure		300LB			
Test pressure	Shell test	7.5	MPa	test medium	water
	Gas seal test	0.6			air
Applicable medium	water, oil, gas				
Applicable temperature	-20~797°F				



NO.	DESCRIPTION	Q'TY	MATERIAL
7	NUT	-	A194 8
6	STUD	-	A193 B8
5	PLUG	1	A351 CF8M
4	BONNET	1	A351 CF8M
3	GASKET	1	SS316+Graphite
2	BASKET	1	SS316
1	BODY	1	A351 CF8M

MARK	BEFORE MODIFIED	AFTER MODIFIED	DATE	SCALE
DRAW		APP.		
CHK.		DATE		

ANIX®	
ANIX VALVE CO., LTD	
Flanged Y-Strainer	
300LB, CF8M	
YS41W6F/300	