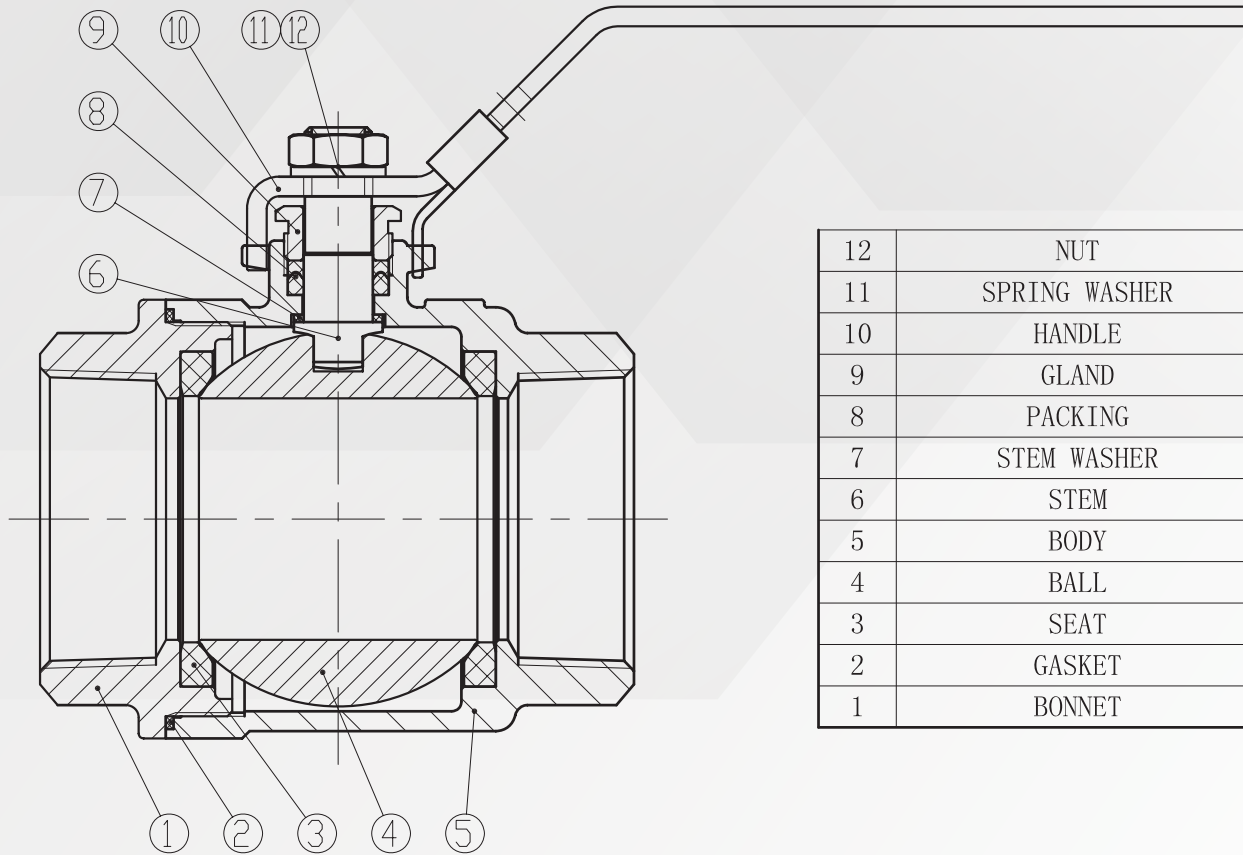


2-Piece Body Ball Valve NPT Threaded Installation, Operation and Maintenance Instructions



12	NUT	1
11	SPRING WASHER	1
10	HANDLE	1
9	GLAND	1
8	PACKING	1
7	STEM WASHER	1
6	STEM	1
5	BODY	1
4	BALL	1
3	SEAT	2
2	GASKET	1
1	BONNET	1

Refer to the diagram and parts list above for a detailed view of each component, assisting with installation, operation, and maintenance for optimal valve performance.



ANIX VALVE CO.LTD, Certified ISO 9001.

www.anixusa.com

OVERVIEW

The ball valve operates by rotating a ball within the valve body to open, close, or regulate flow through the pipeline. This valve is designed primarily for starting and stopping flow, with some capability for moderate flow adjustment. Its compact, lightweight design requires minimal parts, and it is easy to seal with PTFE material. However, it is not suitable for high-temperature applications due to material limitations.

INSTALLATION AND OPERATION:

- **Installation:**
 - These quarter-turn (90° rotation) ball valves can be installed in any orientation within the pipeline.
 - For threaded-end models, apply a compatible joint compound or TFE tape to the pipe threads for a secure seal and easier assembly.
 - If using a lever-handled ball valve, it can be installed in any position on the pipeline
- **Operation:**
 - For manual operation, the valve is equipped with a latching lever handle with stop tabs at the open and closed positions.
 - To **open the valve**, lift the latch/lock and turn the handle counterclockwise.
 - To **close the valve**, lift the latch/lock and rotate the handle clockwise.

STEM SEAL ADJUSTMENT

If leakage is observed around the stem packing area:

- Tighten the stem nut by 1/8 turn. If leakage continues, repeat the adjustment.
- If leakage persists after several adjustments, replacement of the valve may be necessary.

*****WARNING: Do not attempt any maintenance on valves while they are in a pressurized line.*****



ANIX VALVE CO.LTD, Certified ISO 9001.
www.anixusa.com

STORAGE AND MAINTENANCE

- **Storage:**
 - Store the valve in a dry room to prevent rust and other damage.
 - If the valve is stored long-term, periodically inspect it to ensure it remains in good condition, removing any dust or dirt and applying a rust-preventive coating to the valve surfaces if necessary.

- **Pre-Installation Check:**
 - Verify that the valve markings and specifications match the application requirements.

- **Safety Precautions:**
 - During operation, avoid standing directly in line with the stem axis to reduce the risk of injury.
 - Do not apply excessive force to the handle, as the design accounts for the necessary torque without additional leverage.