

YS41W-Flanged Y-Strainer-Class 300

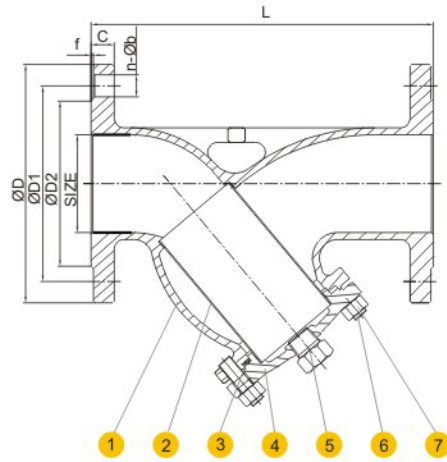


GENERAL CHARACTERISTICS

- Optional Mesh: 20/40/60/80/100
- Design: ASME B16.34
- Test: API 598
- End Flange RF: ASME B16.5

WORKING CONDITIONS

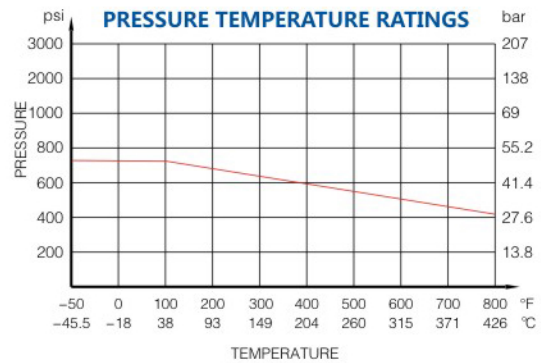
- Working Pressure: Class 300
- Temperature Range: -20° to 302°F
- Applicable medium: Water, Oil, Gas



MATERIALS LIST

No.	DESCRIPTION	Q'TY	MATERIAL
7	NUT	-	A194 8
6	STUD	-	A193 B8
5	PLUG	1	A351 CF8M
4	BONNET	1	A351 CF8M
3	GASKET	1	SS316+Graphite
2	SCREEN MESH	1	SS316
1	BODY	1	A351 CF8M

Note: Please contact us for other material requirements.



DIMENSIONS- Class 300

SIZE	L	D	D1	D2	C	f	n-Øb	MESH	Weight(lb)
1/2"	5.12	3.74	2.63	1.37	0.59	0.06	4-Ø0.63	40	-
3/4"	5.91	4.53	3.25	1.69	0.63	0.06	4-Ø0.75	40	-
1"	6.3	4.92	3.5	2	0.71	0.06	4-Ø0.75	40	-
1 1/4"	6.69	5.32	3.87	2.5	0.75	0.06	4-Ø0.75	40	-
1 1/2"	7.87	6.1	4.5	2.87	0.83	0.06	4-Ø0.87	40	33.07
2"	8.66	6.5	5	3.63	0.91	0.06	8-Ø0.75	40	38.58
2 1/2"	10.24	7.48	5.87	4.13	1.02	0.06	8-Ø0.87	40	46.3
3"	11.02	8.27	6.63	5	1.14	0.06	8-Ø0.87	40	61.73
4"	11.81	10.04	7.87	6.19	1.26	0.06	8-Ø0.87	40	85.98
5"	13.78	11.02	9.25	7.31	1.38	0.06	8-Ø0.87	40	110.23
6"	15.16	12.6	10.63	8.5	1.46	0.06	12-Ø0.87	40	132.28
8"	19.09	14.96	13	10.63	1.65	0.06	12-Ø0.98	40	231.49