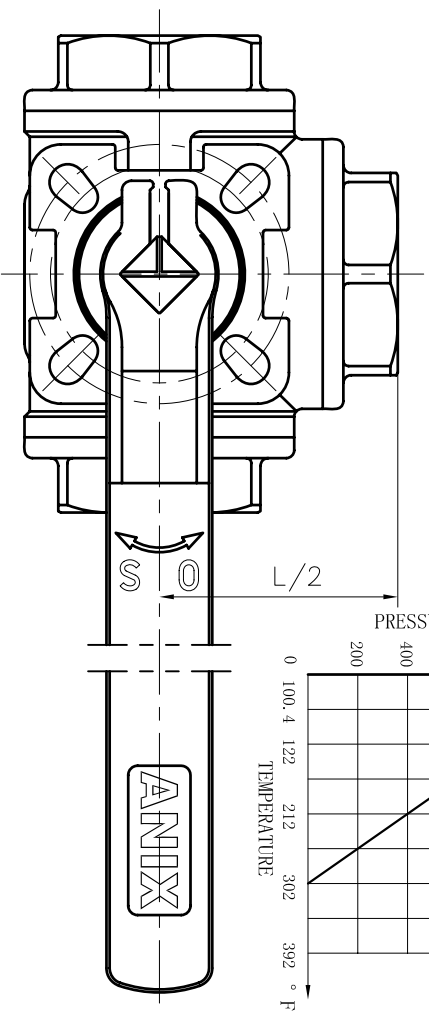
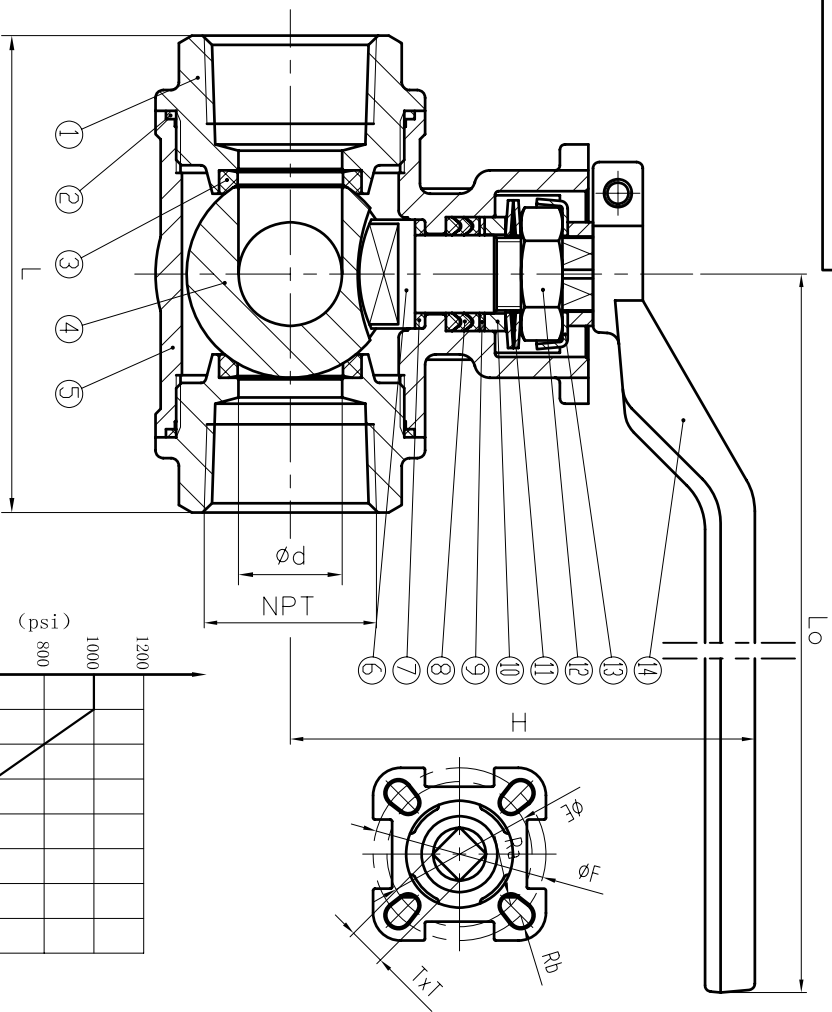


0001 /N9F5THAB



- NOTE:
1. Design and Manufacture for valve according to ASME B16.34.
 2. Inspection and Test for valve according to API 598.
 3. The connection of screwed for valve according to ANSI B1.20.1.

Nominal pressure	1000Psi		Test medium	Water temperature	Normal temperature
	Shell test	Test			
Test pressure	10.4	7.6	Water	temperature	temperature
Gas seal test	0.6		Air		
Applicable medium	Water, Oil, Gas				
Applicable temperature	-20~302°F				

NPS	L	d	NPT	Lo	H	E	F	a	b	TxT	Weight (lb)		
												1	2
1/2"	2.913	0.472	1/2"	5.118	2.638	1.417	1.654	0.118	0.118	0.354x0.354	1.422		
3/4"	3.465	0.591	3/4"	5.118	2.756	1.417	1.654	0.118	0.118	0.354x0.354	2.094		
1"	3.622	0.787	1"	5.906	3.386	1.654	1.969	0.118	0.138	0.433x0.433	2.976		
1 1/4"	4.882	0.984	1 1/4"	5.906	3.622	1.654	1.969	0.118	0.138	0.433x0.433	5.423		
1 1/2"	5.433	1.260	1 1/2"	8.268	4.291	1.969	2.756	0.138	0.177	0.551x0.551	8.267		
2"	6.063	1.496	2"	8.268	4.409	1.969	2.756	0.138	0.177	0.551x0.551	10.692		
14	HANDLE		1	STAINLESS STEEL									
13	LOCATOR		1	304									
12	NUT		1	A194 8									
11	DISH SPRING		1	301									
10	GLAND		1	304									
9	GRAPHITE PACKING		1	304									
8	PACKING		1	PTFE									
7	STEM WASHER		1	PTFE									
6	STEM		1	A276 316									
5	BODY		1	A351 CF8M									
4	BALL		1	SS316									
3	SEAT		4	PTFE									
2	GASKET		3	PTFE									
1	BONNET		3	A351 CF8M									
NO.	DESCRIPTION		QTY	MATERIAL									
				ANIX®									
				ANIX VALVE CO., LTD									
				3 Way T Port									
				Ball Valve 1000PSI, NPT									
				High Mounting Pad									
				BVH15F6N/1000									
MARK	BEFORE MODIFIED	AFTER MODIFIED	DATE										
DRAW		APP.											
CHK.		DATE											