

GA40H-Fangle Gate Valve-Class 150/300



GENERAL CHARACTERISTICS

- Rising stem
- Solid disc
- Design:API 602
- Face to face:ASME B16.10
- Test:API 598
- End Flange RF:ASME B16.5

WORKING CONDITIONS

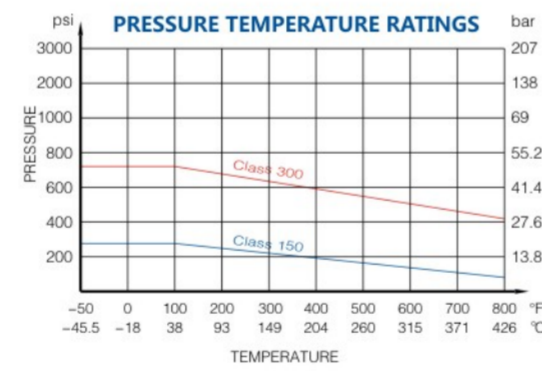
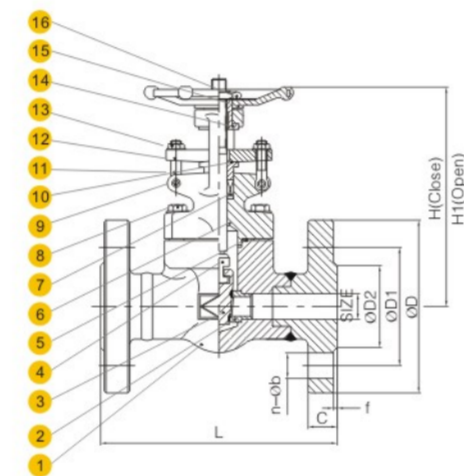
- Working Pressure:Class 150/300
- Temperature Range:-20° to 797°F
- Applicable medium:Water,Oil,Gas



MATERIALS LIST

No.	DESCRIPTION	QTY	MATERIAL
16	PREVAILING	1	1035
15	HANDWHEEL	1	KTH330-08
14	STEM NUT	1	1035
13	NUT	2	1035
12	GLAND FLANGE	1	1020
11	EYE BOLT	2	1035
10	GLAND	1	1020
9	PIN	2	1035
8	BOLT	-	1035
7	PACKING	-	Graphite
6	BONNET	1	A105
5	GASKET	1	SS316+Graphite
4	STEM	1	2Cr13
3	DISC	1	2Cr13+STL
2	SEAT RING	2	2Cr13
1	BODY	1	A105

Note:Please contact us for other material requirements.



DIMENSIONS- Class 150

SIZE	L	D	D1	D2	C	f	n-Ob	H	H1	Weight(lb)
1/2"	4.25	3.5	2.38	1.38	0.39	0.06	4-00.59	5.43	5.95	-
3/4"	4.61	3.86	2.76	1.69	0.43	0.06	4-00.59	5.59	6.22	-
1"	5	4.25	3.13	2.01	0.47	0.06	4-00.59	6.69	7.48	-
1 1/4"	5.51	4.61	3.5	2.52	0.51	0.06	4-00.59	7.48	8.54	-

DIMENSIONS- Class 300

SIZE	L	D	D1	D2	C	f	n-Ob	H	H1	Weight(lb)
1/2"	5.51	3.74	2.62	1.38	0.59	0.06	4-00.59	5.43	5.95	-
3/4"	5.98	4.61	3.25	1.69	0.63	0.06	4-00.75	5.59	6.22	-
1"	6.5	4.88	3.5	2.01	0.71	0.06	4-00.75	6.69	7.48	-
1 1/4"	7.01	5.24	3.88	2.52	0.75	0.06	4-00.75	7.48	8.54	-

GA40H-Fangle Gate Valve-Class 600



GENERAL CHARACTERISTICS

- Rising stem
- Solid disc
- Design:API 602
- Face to face:ASME B16.10
- Test:API 598
- End Flange RF:ASME B16.5

WORKING CONDITIONS

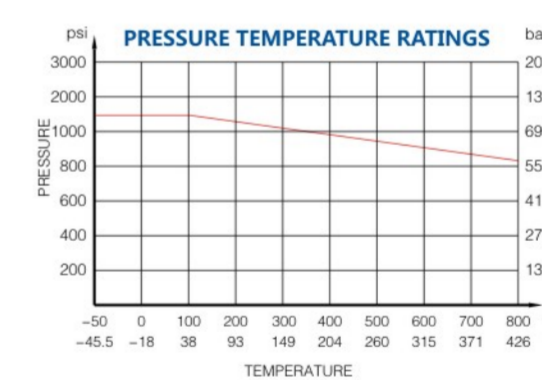
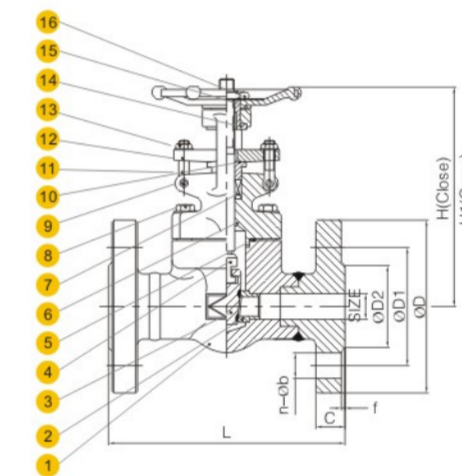
- Working Pressure:Class 600
- Temperature Range:-20° to 797°F
- Applicable medium:Water,Oil,Gas



MATERIALS LIST

No.	DESCRIPTION	QTY	MATERIAL
16	PREVAILING	1	1035
15	HANDWHEEL	1	KTH330-08
14	STEM NUT	1	1035
13	NUT	2	1035
12	GLAND FLANGE	1	1020
11	EYE BOLT	2	1035
10	GLAND	1	1020
9	PIN	2	1035
8	BOLT	-	1035
7	PACKING	-	Graphite
6	BONNET	1	A105
5	GASKET	1	SS316+Graphite
4	STEM	1	2Cr13
3	DISC	1	2Cr13+STL
2	SEAT RING	2	2Cr13
1	BODY	1	A105

Note:Please contact us for other material requirements.



DIMENSIONS- Class 600

SIZE	L	D	D1	D2	C	F	n-Ob	Weight(lb)
1/2"	6.5	3.74	2.62	1.38	0.83	0.25	4-00.59	-
3/4"	7.48	4.61	3.25	1.69	0.91	0.25	4-00.75	-
1"	8.5	4.88	3.5	2.01	0.95	0.25	4-00.75	-
1 1/4"	9.02	5.24	3.88	2.52	1.08	0.25	4-00.75	-
1 1/2"	9.49	6.14	4.51	2.87	1.14	0.25	4-00.87	-