

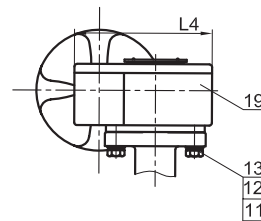
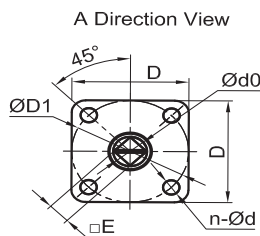
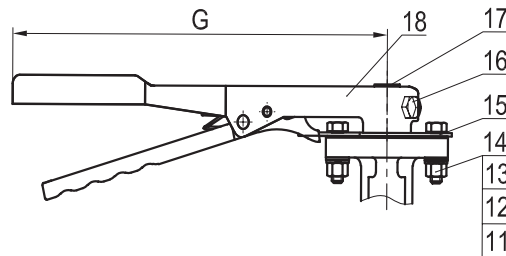
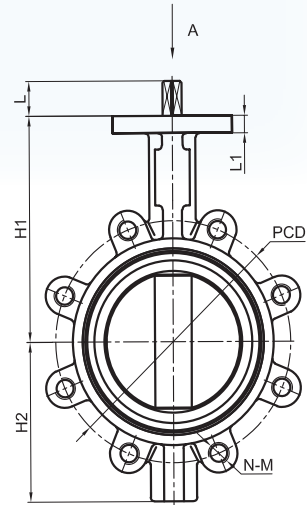
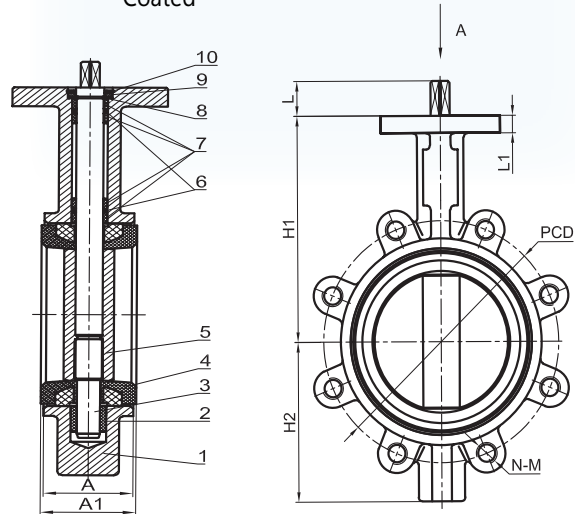
Lug Style Butterfly Valve 200 PSI



GENERAL CHARACTERISTICS

- Comply with ISO 5752/ BS 5155
- BS EN 593/MSS SP-67/API 609
- Lever / Worm Gear Operator, Epoxy Coated

| | | |
|------|---------------|----------------|
| 19 | Gear Box | Cast Iron |
| 18 | Lever | Malleable Iron |
| 17 | Plastic Cover | ABS |
| 16 | Screw | SS316/SS201 |
| 15 | Notch Plate | SS430 |
| 14 | Nut | SS316/SS201 |
| 13 | Plain Washer | SS316/SS201 |
| 12 | Lock Washer | SS316/SS201 |
| 11 | Hex Bolt | SS316/SS201 |
| 10 | Circlip | 65Mn |
| 9 | Washer | Carbon Steel |
| 8 | Circlip | 65Mn |
| 7 | O-Ring | NBR/EPDM |
| 6 | Bushing | Bronze/PTFE |
| 5 | Shaft | SS410 |
| 4 | Seat | NBR/EPDM |
| 3 | Disc | DI/CF8/CF8M |
| 2 | Body | DI |
| 1 | Bushing | Bronze/PTFE |
| Item | Name | Material |



| DN | Inches | H1 | H2 | A | A1 | D | ØD1 | Ød0±0.03 | n-Ød | L1 | □E | L | ANSI Class150 |
|-----|--------|-------|------|------|------|------|------|----------|---------|------|------|------|----------------|
| 50 | 2 | 5.56 | 2.70 | 1.65 | 1.81 | 1.97 | 1.97 | 0.47 | 4-Ø0.28 | 0.39 | 0.35 | 0.87 | 4.75 4-Ø0.75 |
| 65 | 2.5 | 5.92 | 2.99 | 1.75 | 1.93 | 1.97 | 1.97 | 0.47 | 4-Ø0.28 | 0.39 | 0.35 | 0.87 | 5.50 4-Ø0.75 |
| 80 | 3 | 6.16 | 3.74 | 1.75 | 1.93 | 1.97 | 1.97 | 0.47 | 4-Ø0.28 | 0.39 | 0.35 | 0.87 | 6.00 4-Ø0.75 |
| 100 | 4 | 6.61 | 4.33 | 2.01 | 2.18 | 2.76 | 2.76 | 0.55 | 4-Ø0.39 | 0.43 | 0.43 | 0.98 | 7.50 4-Ø0.75 |
| 125 | 5 | 7.34 | 5.09 | 2.15 | 2.31 | 2.76 | 2.76 | 0.69 | 4-Ø0.39 | 0.43 | 0.55 | 0.98 | 8.50 8-Ø0.87 |
| 150 | 6 | 8.10 | 5.59 | 2.15 | 2.33 | 2.76 | 2.76 | 0.69 | 4-Ø0.39 | 0.43 | 0.55 | 0.98 | 9.50 8-Ø0.87 |
| 200 | 8 | 9.08 | 6.93 | 2.35 | 2.52 | 2.76 | 2.76 | 0.87 | 4-Ø0.39 | 0.55 | 0.67 | 0.98 | 11.75 8-Ø0.87 |
| 250 | 10 | 10.63 | 8.35 | 2.64 | 2.83 | 4.02 | 4.02 | 1.10 | 4-Ø0.47 | 0.63 | 0.87 | 1.06 | 14.25 12-Ø0.98 |
| 300 | 12 | 12.91 | 9.78 | 2.97 | 3.13 | 4.02 | 4.02 | 1.10 | 4-Ø0.47 | 0.63 | 0.87 | 1.06 | 17.00 12-Ø0.98 |