

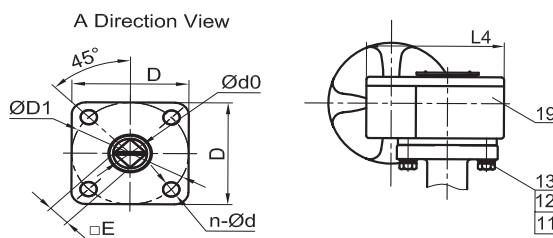
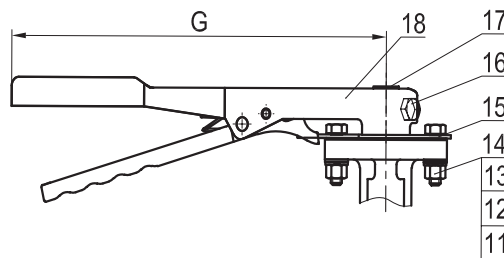
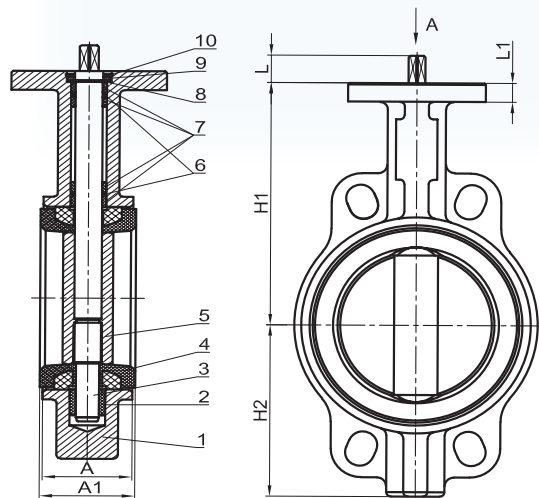
Wafer Style Butterfly Valve 200 PSI



GENERAL CHARACTERISTICS

- Comply with ISO 5752/ BS 5155
- BS EN 593/MSS SP-67/API 609
- Lever / Worm Gear Operator, Epoxy Coated

19	Gear Box	Cast Iron
18	Lever	Malleable Iron
17	Plastic Cover	ABS
16	Screw	SS316/SS201
15	Notch Plate	SS430
14	Nut	SS316/SS201
13	Plain Washer	SS316/SS201
12	Lock Washer	SS316/SS201
11	Hex Bolt	SS316/SS201
10	Circlip	65Mn
9	Washer	Carbon Steel
8	Circlip	65Mn
7	O-Ring	NBR/EPDM
6	Bushing	Bronze/PTFE
5	Shaft	SS410
4	Seat	NBR/EPDM
3	Disc	DI/CF8/CF8M
2	Body	DI
1	Bushing	Bronze/PTFE
Item	Name	Material



DN	Inches	H1	H2	A	A1	D	ØD1	Ød0±0.03	n-Ød	L1	□E	L	ANSI Class150
50	2	5.56	2.70	1.65	1.81	1.97	1.97	0.47	4-Ø0.28	0.39	0.35	0.87	4.75 4-Ø0.75
65	2.5	5.92	2.99	1.75	1.93	1.97	1.97	0.47	4-Ø0.28	0.39	0.35	0.87	5.50 4-Ø0.75
80	3	6.16	3.74	1.75	1.93	1.97	1.97	0.47	4-Ø0.28	0.39	0.35	0.87	6.00 4-Ø0.75
100	4	6.61	4.33	2.01	2.18	2.76	2.76	0.55	4-Ø0.39	0.43	0.43	0.98	7.50 4-Ø0.75
125	5	7.34	5.09	2.15	2.31	2.76	2.76	0.69	4-Ø0.39	0.43	0.55	0.98	8.50 8-Ø0.87
150	6	8.10	5.59	2.15	2.33	2.76	2.76	0.69	4-Ø0.39	0.43	0.55	0.98	9.50 8-Ø0.87
200	8	9.08	6.93	2.35	2.52	2.76	2.76	0.87	4-Ø0.39	0.55	0.67	0.98	11.75 8-Ø0.87
250	10	10.63	8.35	2.64	2.83	4.02	4.02	1.10	4-Ø0.47	0.63	0.87	1.06	14.25 12-Ø0.98
300	12	12.91	9.78	2.97	3.13	4.02	4.02	1.10	4-Ø0.47	0.63	0.87	1.06	17.00 12-Ø0.98