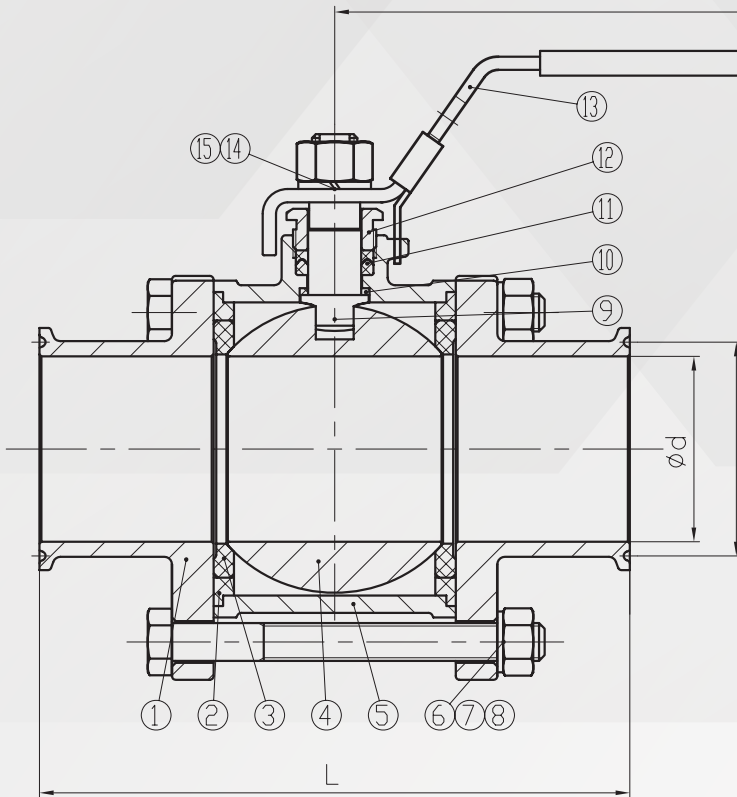


## Installation, Operation, and Maintenance (IOM) Manual for 3-Piece Body Sanitary Ball Valve, Clamp End Connection 1000#



15	NUT
14	SPRING WASHER
13	HANDLE
12	GLAND
11	PACKING
10	STEM WASHER
9	STEM
8	NUT
7	SPRING WASHER
6	HEXAGON HEAD BOLT
5	BODY
4	BALL
3	SEAT
2	GASKET
1	BONNET

Refer to the diagram and parts list above for a detailed view of each component, assisting with installation, operation, and maintenance for optimal valve performance.



ANIX VALVE CO.LTD, Certified ISO 9001.

[www.anixusa.com](http://www.anixusa.com)

**Note:** This manual provides guidance for the proper installation, operation, and maintenance of 3-Piece Body Sanitary Ball Valve, Clamp End Connection to ensure efficient performance and long-lasting service. It includes general practices for safe usage, regular inspection, and potential troubleshooting. We are not liable for damages arising from its use. Consult a professional if you have specific concerns related to your application or environment. For additional assistance, contact your supplier or representative.

---

## GENERAL INFORMATION

- 3-piece body sanitary ball valves with clamp end connections are designed for hygienic applications, providing easy assembly, maintenance, and cleaning. The three-piece construction enables easy access to the internal components by detaching the center body section without disturbing the piping. This makes them ideal for industries with strict sanitary requirements, such as food, beverage, and pharmaceuticals.

## STORAGE AND HANDLING

- **Storage Conditions:** Store valves in a dry, clean environment in their original packaging to prevent contamination and physical damage. For long-term storage, inspect periodically, keep the surfaces clean, and apply a sanitary protective coating if needed.
- **Transportation:** Handle and secure the valve carefully during transport to avoid any damage, particularly to the clamp ends.





ANIX VALVE CO.LTD, Certified ISO 9001.  
www.anixusa.com

## PRE-INSTALLATION

- **Specifications Check:** Verify that the valve specifications (e.g., pressure, temperature) match the application's sanitary requirements.
- **Inspection:** Ensure all components are present, clean, and undamaged, including the sanitary seals and gaskets. Replace any component showing signs of wear or contamination.
- **Pipeline Cleanliness:** Before installation, thoroughly clean the piping system to prevent contaminants from entering the valve and affecting product quality.
- **Valve Position:** Valves are shipped in the open position to protect the sealing surfaces. Ensure they remain open during handling.

## PRE-INSTALLATION

- **Correct Positioning:** Position the valve to allow for easy access to the handle and ensure visibility of the open and closed positions.
- **Installation Direction:** Sanitary ball valves can be installed in any orientation, but ensure accessibility for cleaning and maintenance.
- **Quarter-Turn Operation:**
  - To open: Lift the latch and turn the handle counterclockwise.
  - To close: Lift the latch and turn the handle clockwise.



ANIX VALVE CO.LTD, Certified ISO 9001.  
www.anixusa.com

## INSTALLATION PROCEDURES

- **Clamp-End Connection:**
  - Sanitary Clamps: Use appropriately sized sanitary clamps and gaskets compatible with the application. Ensure a secure, leak-proof connection by tightening clamps evenly.
  - Alignment: Ensure proper alignment of the valve to prevent stress on the gasket and maintain a smooth flow path.
  - Gasket Positioning: Place sanitary gaskets between the valve ends and piping connections, making sure the gasket is properly seated and free of contaminants.
- **Post-Installation Check:**
  - Visual Inspection: Inspect all connections for tightness and alignment, and verify that the gaskets are properly seated to prevent leaks.
  - Functional Test: Test the valve by opening and closing to confirm smooth operation.

## OPERATION

- **Quarter-Turn Mechanism:**
  - Open Position: When open, the ball aligns with the flow path for full sanitary flow.
  - Closed Position: When closed, the ball seals against the valve seats, stopping flow and preventing contamination.
- **Routine Operation:** Periodically open and close the valve to ensure smooth operation and prevent sticking or binding of seals.
- **Monitoring:** Regularly check for leaks around the clamp connections and the stem seal. Confirm accessibility for emergency shutdown in automated systems.



ANIX VALVE CO.LTD, Certified ISO 9001.  
www.anixusa.com

## MAINTENANCE INSTRUCTIONS

- **Valve Adjustments:**
  - **Stem Packing:** Over time, the stem packing may need tightening to maintain a leak-tight seal. Tighten in 1/8-turn increments as needed.
- **Cleaning and Sanitary Maintenance:**
  - **Disassemble for Cleaning:** Loosen the clamp connections, remove the center body section, and inspect for any signs of wear, contamination, or buildup on internal surfaces.
  - **Component Inspection:** Check the ball, seats, gaskets, and seals for wear. Replace any damaged or worn components to maintain sanitary standards.
  - **Reassembly:** After cleaning, reassemble the valve, ensuring all seals and gaskets are seated properly. Tighten clamps securely to avoid leaks.
- **Preventive Maintenance Schedule:**
  - **Routine Checks:** For high-use applications, inspect every 5,000 cycles or as required by industry standards. Adjust schedules based on usage patterns and application requirements.

## SAFETY PRECAUTIONS

- **Personnel Positioning:** Avoid standing directly in line with the stem axis to minimize injury risk during operation.
- **Handle Force:** Avoid applying excessive force to the handle. The sanitary valve is designed for operation with standard manual torque.

**WARNING:** Never attempt maintenance on pressurized or active lines. Ensure all pressure is released, and the system is shut down before performing any maintenance.



ANIX VALVE CO.LTD, Certified ISO 9001.  
www.anixusa.com

## STORAGE AND LONG-TERM MAINTENANCE

- Protective Storage: Store in a clean, dry location with caps on the ends to prevent contamination.
- Periodic Inspection: For extended storage, inspect regularly to maintain cleanliness and functionality. Reapply a sanitary protective coating as needed for corrosion resistance.

**WARNING:** Maintenance on sanitary valves should only be performed with the system depressurized and thoroughly cleaned to maintain hygiene and safety.

