

BV83-Clamped-Package Ball Valve-1000Psi



GENERAL CHARACTERISTICS

- Blow-out-proof stem design
- Padlocking device
- Design: ASME B16.34
- Test: API 598
- End Connections: Clamped-Package End

WORKING CONDITIONS

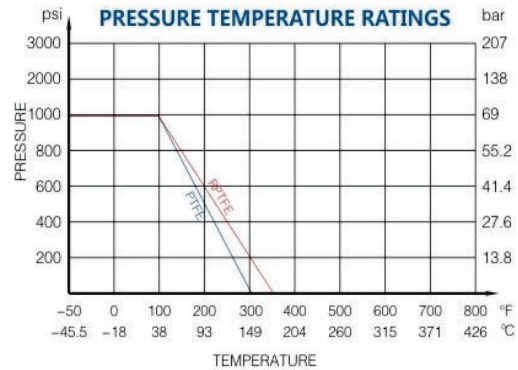
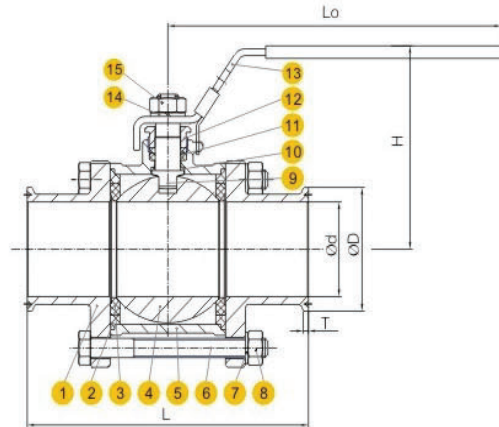
- Working Pressure: 1000Psi
- Temperature Range:
 - 20° to 302°F-PTFE
 - 20° to 356°F-RPTFE
- Applicable medium: Water, Oil, Gas



MATERIALS LIST

15	NUT	1	A194 8	A194 8
14	SPRING WASHER	1	304	304
13	HANDLE	1	Steel	Steel
12	GLAND	1	304	304
11	PACKING	1	PTFE	RPTFE
10	STEM WASHER	1	PTFE	RPTFE
9	STEM	1	A276 316	A276 316
8	NUT	-	A194 8	A194 8
7	SPRING WASHER	-	304	304
6	BOLT	-	A193 B8	A193 B8
5	BODY	1	A351 CF8M	A351 CF8M
4	BALL	1	SS316	SS316
3	SEAT	2	PTFE	RPTFE
2	GASKET	2	PTFE	RPTFE
1	BONNET	2	A351 CF8M	A351 CF8M
No.	DESCRIPTION	Q'TY	MATERIAL	

Note: Please contact us for other material requirements.



DIMENSIONS-1000Psi

SIZE	L	d	D	T	Lo	H	Weight(lb)	Torque(lbf · in)
1/2"	3.5	0.37	1	1.12	3.74	1.87	-	44
3/4"	4.02	0.62	1	1.12	5.12	2.52	-	62
1"	4.53	0.87	1.99	1.12	5.51	2.66	-	88
1 1/4"	5.12	1.12	1.99	1.12	5.51	3.17	-	133
1 1/2"	5.47	1.37	1.99	1.12	6.69	3.7	-	195
2"	6.14	1.87	2.52	1.12	7.28	4.15	-	265
2 1/2"	7.76	2.37	3.05	1.12	8.66	4.51	-	460
3"	8.98	2.87	3.58	1.12	10.63	5.16	-	761
4"	9.57	3.83	4.69	1.12	12.4	6.18	-	1097