

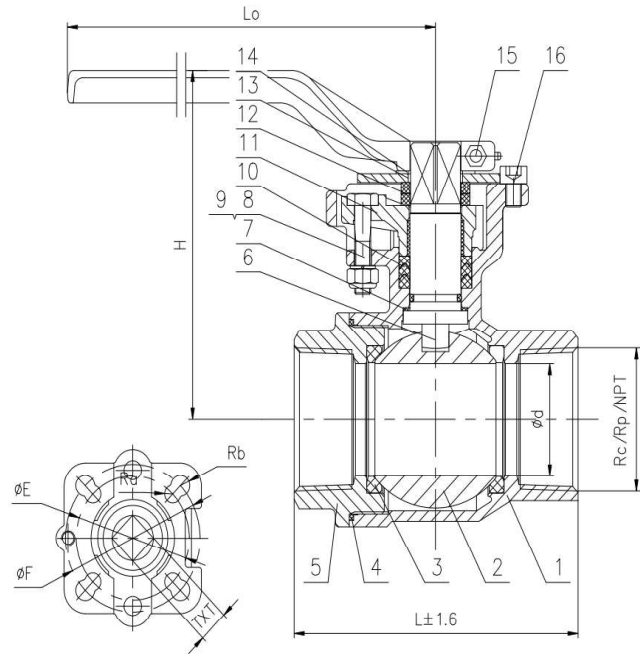
BVH12 2-Piece Full Port ISO Direct Mount Ball Valve 1000 PSI



GENERAL CHARACTERISTICS

- Investment Cast Stainless Steel 316
- NPT Threaded End Connection (ANSI B1.20)
- Full Port Design
- Seat Material: PTFE or R-PTFE
- ISO Direct Mounted
- Working Pressure of 1000 PSI
- Design fully complies with ASME B16.34
- Tested in accordance to API 598

16	HEX SOCKET BOLT	1	A193 B8
15	HANDLE	1	A351 CF8
14	CLASP	1	SS304
13	STOPPER	1	SS304
12	CUSHION	2	PVC
11	GLAND	1	A351 CF8
10	PACKING	2	RPTFE
9	NUT	2	A194-8
8	BOLT	2	A193 B8
7	STEM WASHER	1	RPTFE
6	STEM	1	A276 316
5	BONNET	1	A351 CF8M
4	GASKET	1	RPTFE
3	SEAT	2	RPTFE
2	BALL	1	SS316
1	BODY	1	A351 CF8M



Dimensions

NPS	L	d	NPT	Lo	H	E	F	o	b	T x T	Weight(lb)
1/2"	2.480	0.591	1/2"	5.118	2.952	1.417	1.654	0.118	0.118	0.354 x 0.354	0.772
3/4"	2.874	0.787	3/4"	5.118	3.189	1.417	1.654	0.118	0.118	0.354 x 0.354	1.014
1"	3.307	0.984	1"	5.906	3.602	1.654	1.969	0.118	0.138	0.433 x 0.433	1.742
1 1/4"	3.858	1.260	1 1/4"	5.906	3.957	1.654	1.969	0.118	0.138	0.433 x 0.433	2.469
1 1/2"	4.154	1.496	1 1/2"	7.874	4.665	1.969	2.756	0.138	0.177	0.551 x 0.551	3.594
2"	4.744	1.929	2"	7.874	4.941	1.969	2.756	0.138	0.177	0.551 x 0.551	5.247