

CV76 Wafer Duo Door Spring Check Valve, 150lbs

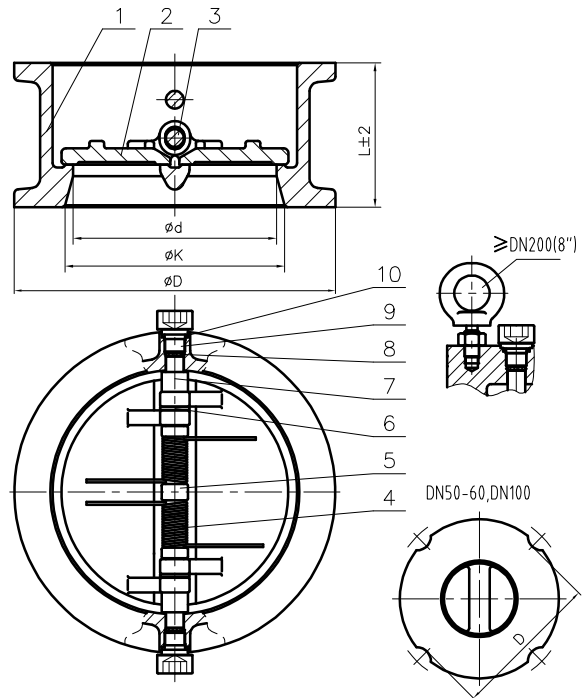


GENERAL CHARACTERISTICS

- 316 Stainless Steel
- Duo Door (Double Disc)
- Wafer Style Design (ASME B16.5)
- Design & Manufacture: ASME B16.34
- Face-to-Face Dimensions ASME B16.34
- Inspection & Test API 598
- Seat Type: Metal to Metal

Materials List

10	PIN	2	SS316
9	DISC	2	A351 CF8M
8	BODY	1	A351 CF8M
7	NUT	1	A194 8
6	EYE-BOLT	1	A193 B8
5	PACKING	4	PTFE
4	GASKET	2	SS316
3	SPRING	1	SS316
2	WASHER	2	SS316
1	HEXAGON SOCKET BLOT	3	A193 B8



Dimensions

NPS	L	d	K	D
2"	2.362	1.772	1.969	3.976
2 1/2"	2.638	2.205	2.559	4.764
3"	2.874	2.756	3.150	5.197
4"	2.874	3.465	3.937	6.142
5"	3.386	4.370	4.921	7.559
6"	3.858	5.236	5.906	8.538
8"	5.000	7.126	7.874	10.709
10"	5.748	9.213	9.843	12.992
12"	7.126	10.630	11.811	14.764

