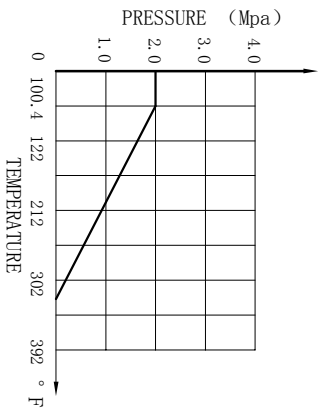
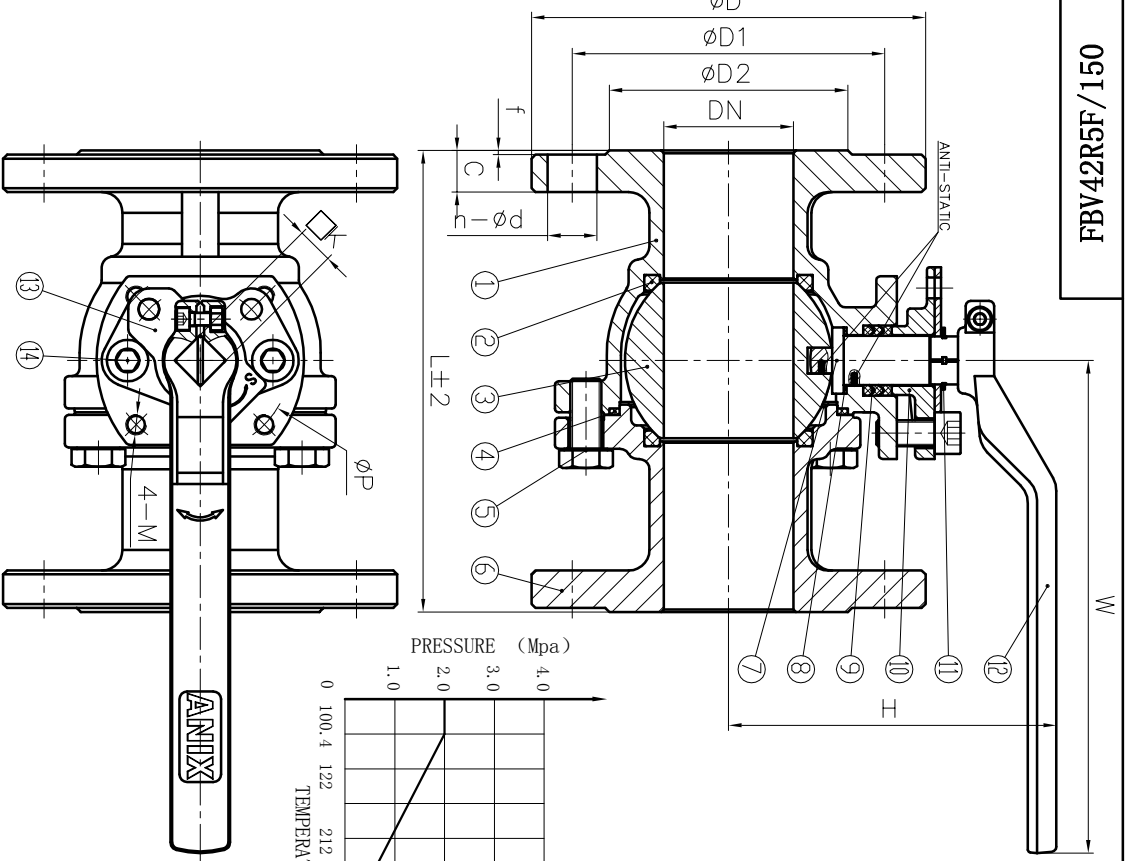


**051/F5R2F/150**  
**FBV42R5F**

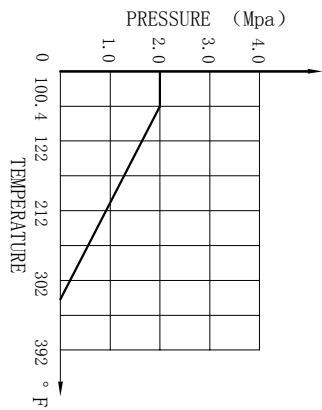
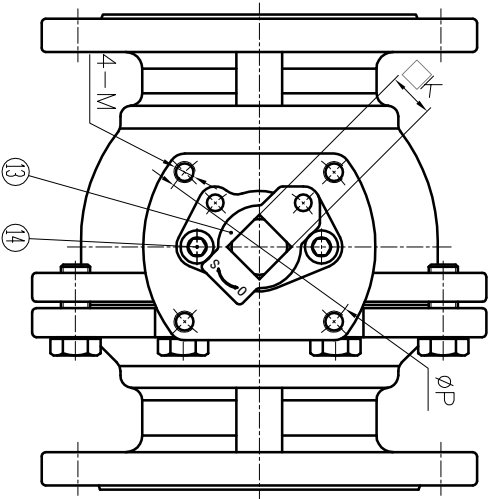
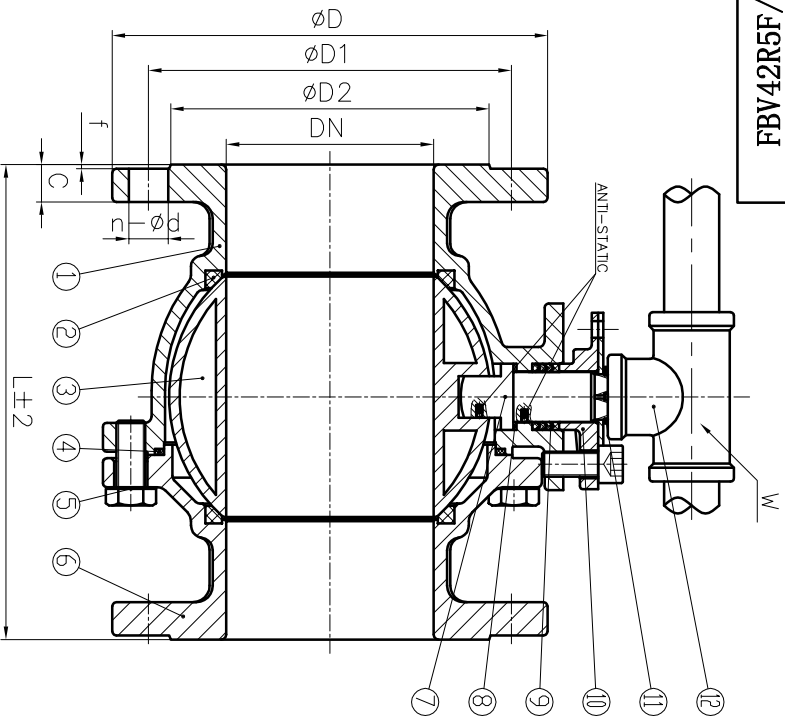


NPS	L	D	D1	D2	C	F	n-Ød	W	H	K	P	M	Weight (lb)
1/2"	4.252	3.543	2.374	1.374	0.394	0.063	4-Ø0.63	5.118	3.189	0.354	1.654	MO.197	4.034
3/4"	4.606	3.937	2.752	1.689	0.433	0.063	4-Ø0.63	5.118	3.307	0.354	1.654	MO.197	5.071
1"	5.000	4.331	3.126	2.000	0.472	0.063	4-Ø0.63	6.299	3.583	0.433	1.969	MO.236	6.371
1 1/4"	5.512	4.528	3.500	2.500	0.512	0.063	4-Ø0.63	6.299	3.740	0.433	1.969	MO.236	9.127
1 1/2"	6.496	4.921	3.874	2.874	0.591	0.063	4-Ø0.63	7.874	4.646	0.551	2.756	MO.315	11.949
2"	7.008	5.906	4.752	3.626	0.630	0.063	4-Ø0.748	7.874	4.961	0.551	2.756	MO.315	16.248
2 1/2"	7.480	7.087	5.500	4.126	0.709	0.063	4-Ø0.748	9.449	5.394	0.551	2.756	MO.315	25.794
3"	7.992	7.480	6.000	5.000	0.748	0.063	4-Ø0.748	10.630	6.378	0.669	4.016	MO.394	31.967
4"	9.016	9.055	7.500	6.189	0.945	0.063	8-Ø0.748	12.598	7.402	0.669	4.016	MO.394	51.809

Nominal pressure	150LB			
Shell test	3.0	Mpa	test medium	water
Test pressure seal test	2.2	Mpa	test medium	water
Gas seal test	0.6	Mpa	test medium	air
Applicable medium	water, oil, gas			
Applicable temperature	-20~356°F			

- NOTE:**
1. Design and Manufacture for valve according to ANSI B16.34-2009.
  2. Face-to-face dimensions for valve according to ASME B16.10-2009.
  3. End flange dimensions for valve according to ASME B16.5-2009.
  4. Inspection and Test for valve according to API 598-2009.

14	HEXAGON HEAD BOLT	2	A193 B8
13	STOPPER	1	SS304
12	HANDLE	1	STAINLESS STEEL
11	SNAP RING	1	SS304
10	GLAND	1	A351 CF8
9	PACKING	-	Graphite
8	STEM WASHER	1	RPTFE
7	STEM	1	A276 316
6	BONNET	1	A216 WCB
5	BOLT	-	A193 B8
4	GASKET	1	SS+Graphite
3	BALL	1	SS316
2	SEAT	2	RPTFE
1	BODY	1	A216 WCB
<b>NO.</b>	<b>DESCRIPTION</b>	<b>Q'TY</b>	<b>MATERIAL</b>
	<b>ANIX®</b>		
	ANIX VALVE USA		
	Flange Ball Valve		
	150LB, WCB, Fire Safe		
	FBV42R5F/150		
<b>MARK</b>	<b>BEFORE MODIFIED</b>	<b>AFTER MODIFIED</b>	<b>SCALE</b>
<b>DRA.</b>	<b>APP.</b>	<b>DATE</b>	
<b>CHK.</b>	<b>DATE</b>		



Nominal pressure		150LB	
Shell test	3.0	Mpa	test medium
Test pressure	2.2		
Gas seal test	0.6	water	Test temperature
Gas seal test	0.6	air	normal temperature
Applicable medium	water, oil, gas		
Applicable temperature	-20~356°F		

NPS	L	D	D1	D2	C	f	n-ød	W	K	P	M	Weight(lb)
5"	14.016	10.039	8.500	7.311	0.945	0.063	8-ø0.866	21.654	0.827	4.016	MO.394	69.997
6"	15.512	11.024	9.500	8.500	1.024	0.063	8-ø0.866	25.591	0.827	4.921	MO.472	109.129
8"	17.992	13.583	11.752	10.626	1.142	0.063	8-ø0.866	31.496	1.063	4.921	MO.472	176.370

14	HEXAGON HEAD BOLT	2	A193 B8
13	STOPPER	1	SS304
12	HANDLE	1	STAINLESS STEEL
11	SNAP RING	1	SS304
10	GLAND	1	A351 CF8
9	PACKING	-	Graphite
8	STEM WASHER	1	RPtFE
7	STEM	1	A276 316
6	BONNET	1	A216 WCB
5	BOLT	-	A193 B8
4	GASKET	1	SS+Graphite
3	BALL	1	SS316
2	SEAT	2	RPtFE
1	BODY	1	A216 WCB
NO.	DESCRIPTION	Q'TY	MATERIAL

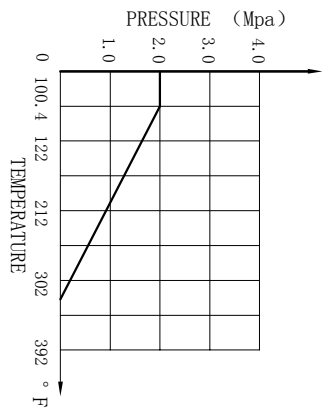
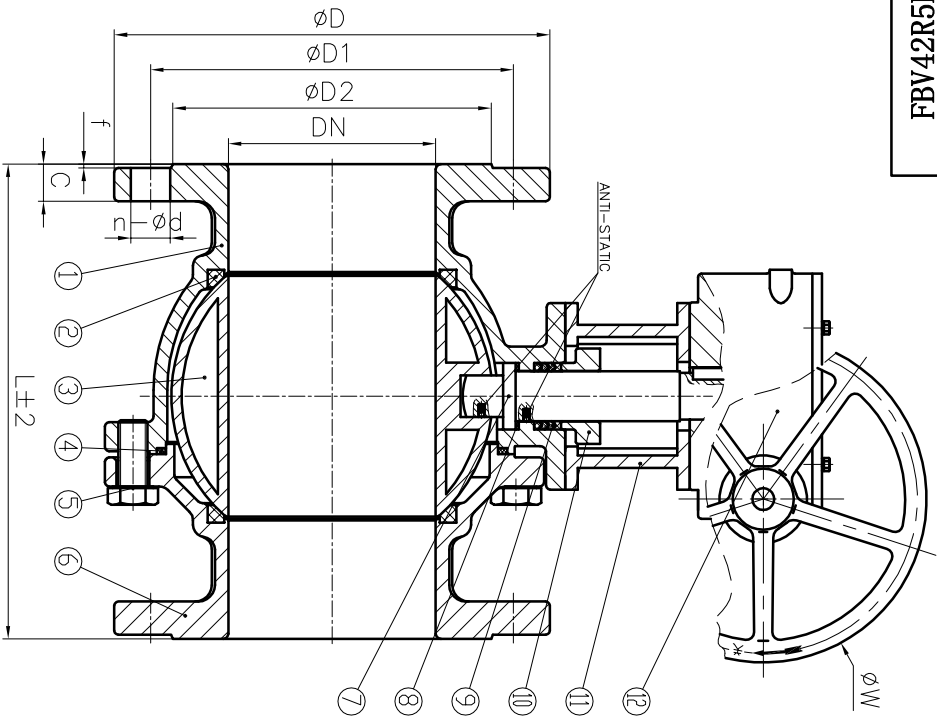
**ANIX®**

ANIX VALVE USA

Flange Ball Valve  
150LB, WCB, Fire Safe

FBV42R5F/150

- NOTE:
1. Design and Manufacture for valve according to ANSI B16.34-2009.
  2. Face-to-face dimensions for valve according to ASME B16.10-2009.
  3. End flange dimensions for valve according to ASME B16.5-2009.
  4. Inspection and Test for valve according to API 598-2009.



- NOTE:
1. Design and Manufacture for valve according to ANSI B16.34-2009.
  2. Face-to-face dimensions for valve according to ASME B16.10-2009.
  3. End Flange dimensions for valve according to ASME B16.5-2009.
  4. Inspection and Test for valve according to API 598-2009.

Nominal pressure		150LB	
Test pressure	Shell test	3.0	Mpa
	seal test	2.2	
Test medium	Gas seal test	0.6	water, oil, gas
	air		
Applicable temperature	-20~356°F		

NPS	L	D	D1	D2	C	f	n- $\phi$ d	W	K	P	M	Weight (lb)
10"	20, 984	15, 945	14, 252	12, 748	1, 220	0, 063	12- $\phi$ 0, 984	15, 748	1, 772	5, 512	M0, 630	352, 740
12 WORM GEAR ACTUATOR 1 /												
11	YOKE		1 A351 CF8									
10	GLAND		1 A351 CF8									
9	PACKING		-									
8	STEM WASHER		1 RPTFE									
7	STEM		1 A276 316									
6	BONNET		1 A216 WCB									
5	BOLT		-									
4	GASKET		1 SS+Graphite									
3	BALL		1 SS316									
2	SEAT		2 RPTFE									
1	BODY		1 A216 WCB									
NO.	DESCRIPTION		Q" TY MATERIAL									
<b>ANIX®</b>												ANIX VALVE USA
MARK BEFORE MODIFIED AFTER MODIFIED DATE												Flange Ball Valve
DRA. APP. SCALE												150LB, WCB, Fire Safe
CHK. DATE												FBV42R5F/150

