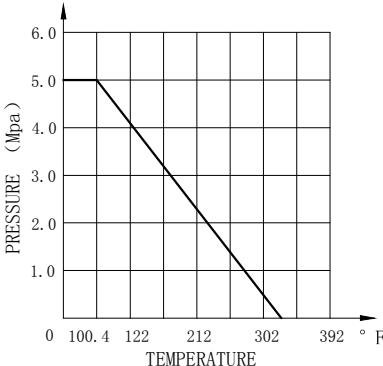
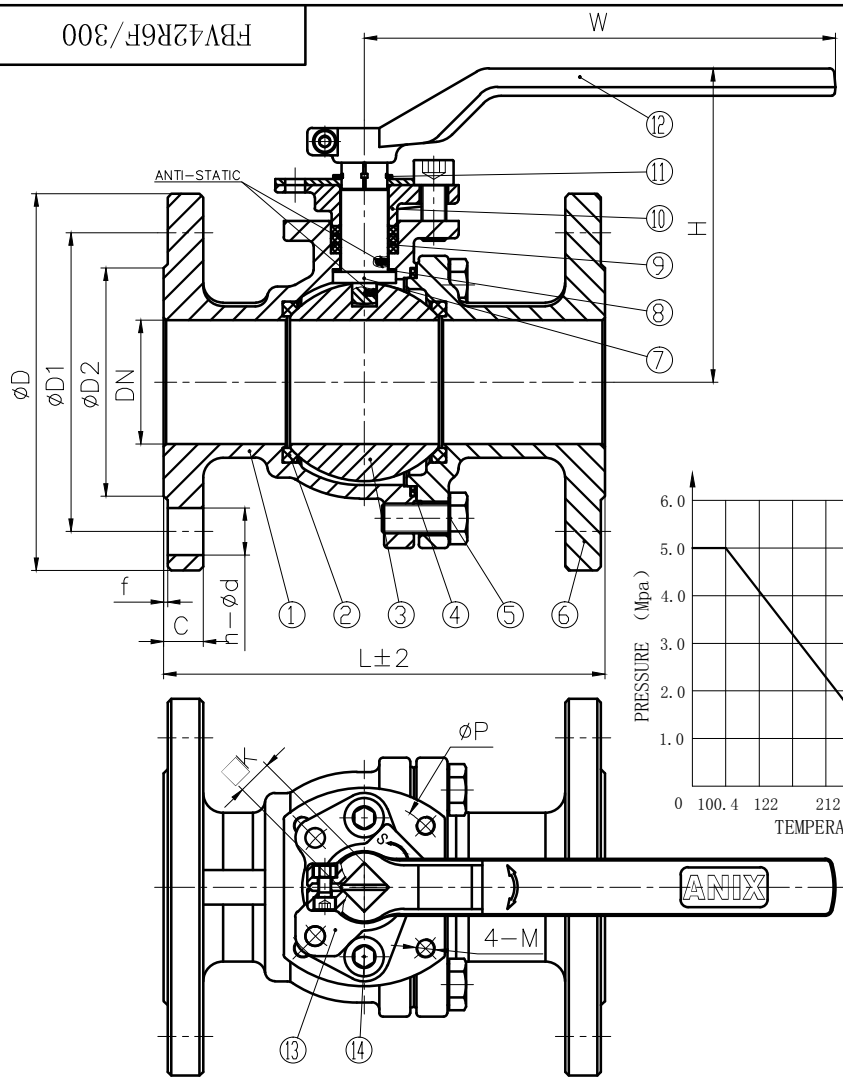


FBV42R6F/300



NPS	L	D	D1	D2	C	f	n-φd	W	H	K	P	M	Weight (lb)
1/2"	5.512	3.740	2.626	1.374	0.591	0.063	4-φ0.63	5.118	3.268	0.354	1.654	M0.197	4.409
3/4"	5.984	4.528	3.252	1.689	0.630	0.063	4-φ0.748	5.118	3.504	0.354	1.654	M0.197	7.165
1"	6.496	4.921	3.500	2.000	0.709	0.063	4-φ0.748	6.299	3.661	0.433	1.969	M0.236	8.818
1 1/4"	7.008	5.315	3.874	2.500	0.748	0.063	4-φ0.748	6.299	3.819	0.433	1.969	M0.236	13.228
1 1/2"	7.480	6.102	4.500	2.874	0.827	0.063	4-φ0.866	7.874	4.685	0.551	2.756	M0.315	17.637
2"	8.504	6.496	5.000	3.626	0.906	0.063	8-φ0.748	7.874	5.000	0.551	2.756	M0.315	24.251
2 1/2"	9.488	7.480	5.874	4.126	1.024	0.063	8-φ0.866	9.449	5.433	0.551	2.756	M0.315	33.069
3"	11.102	8.268	6.626	5.000	1.142	0.063	8-φ0.866	10.630	6.614	0.669	4.016	M0.394	47.399
4"	12.008	10.039	7.874	6.189	1.260	0.063	8-φ0.866	12.598	7.480	0.669	4.016	M0.394	74.957

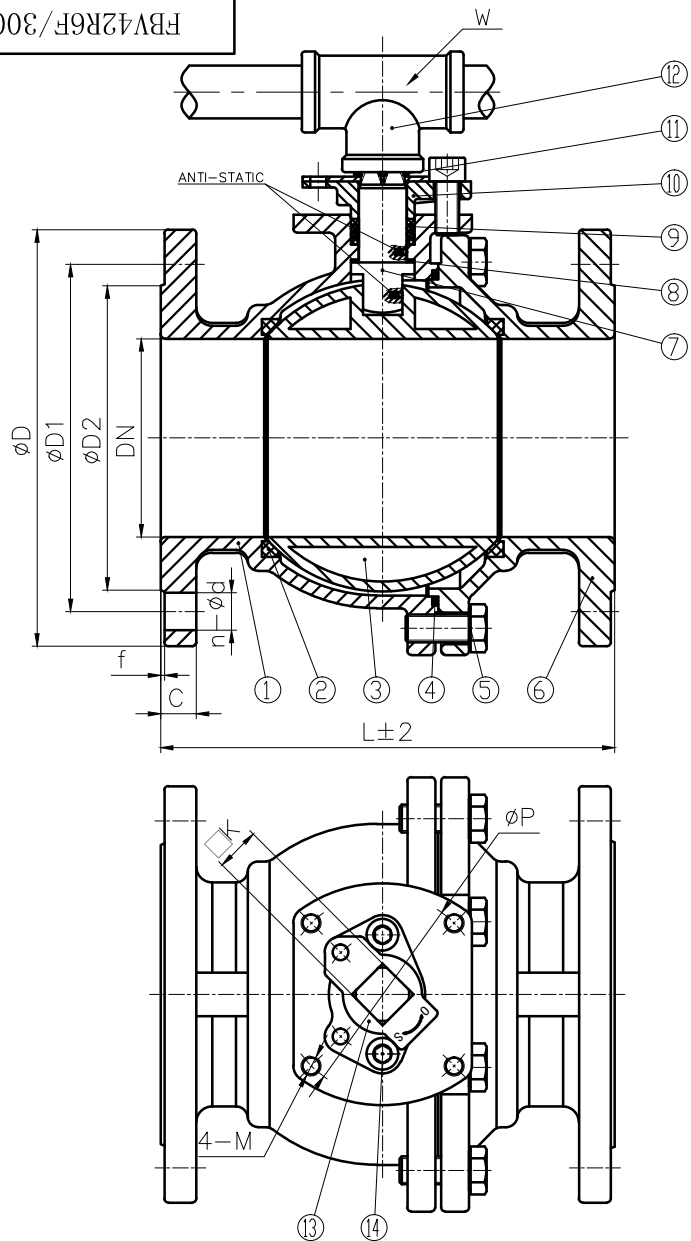
14	HEXAGON HEAD BOLT	2	A193 B8M
13	STOPPER	1	SS304
12	HANDLE	1	STAINLESS STEEL
11	SNAP RING	1	SS304
10	GLAND	1	A351 CF8
9	PACKING	-	Graphite
8	STEM WASHER	1	RPTFE
7	STEM	1	A276 316
6	BONNET	1	A351 CF8M
5	BOLT	-	A193 B8M
4	GASKET	1	SS+Graphite
3	BALL	1	SS316
2	SEAT	2	RPTFE
1	BODY	1	A351 CF8M

NO.	DESCRIPTION	Q' TY	MATERIAL
<b>ANIX®</b>			ANIX VALVE USA
MARK			Flange Ball Valve
BEFORE MODIFIED			300LB, CF8M, Fire Safe
AFTER MODIFIED			FBV42R6F/300
DATE			
MARK	BEFORE MODIFIED	AFTER MODIFIED	DATE
DRA.	APP.		SCALE
CHK.	DATE		

Nominal pressure				300LB			
Test pressure	Shell test	7.5	MPa	test medium	water	Test temperature	normal temperature
	seal test	5.5			air		
	Gas seal test	0.6					
Applicable medium		water,oil,gas					
Applicable temperature		-20~356°F					

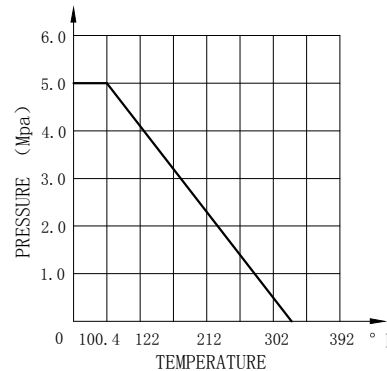
NOTE:  
 1.Design and Manufacture for valve according to ANSI B16.34-2009.  
 2.Face-to-face dimensions for valve according to ASME B16.10-2009.  
 3.End flange dimensions for valve according to ASME B16.5-2009.  
 4.Inspection and Test for valve according to API 598-2009.  
 5.Design according to API 607.

FBV42R6F/300



NOTE:

1. Design and Manufacture for valve according to ANSI B16.34-2009.
2. Face-to-face dimensions for valve according to ASME B16.10-2009.
3. End flange dimensions for valve according to ASME B16.5-2009.
4. Inspection and Test for valve according to API 598-2009.
5. Design according to API 607.



Nominal pressure		300LB					
Test pressure	Shell test	7.5	MPa	test medium	water	Test temperature	normal temperature
	seal test	5.5					
	Gas seal test	0.6					
Applicable medium		water,oil,gas					
Applicable temperature		-20~356°F					

NPS	L	D	D1	D2	C	f	n-ød	W	K	P	M	Weight (lb)
5"	15.000	11.024	9.252	7.311	1.378	0.063	8-ø0.866	21.654	0.827	4.016	MO.394	-
6"	15.866	12.598	10.626	8.500	1.457	0.063	12-ø0.866	25.591	0.827	4.921	MO.472	-
8"	19.764	14.961	13.000	10.626	1.654	0.063	12-ø0.984	31.496	1.063	5.512	MO.630	-

14	HEXAGON HEAD BOLT		2	A193 B8M	
13	STOPPER		1	SS304	
12	HANDLE		1	STAINLESS STEEL	
11	SNAP RING		1	SS304	
10	GLAND		1	A351 CF8	
9	PACKING		-	Graphite	
8	STEM WASHER		1	RPTFE	
7	STEM		1	A276 316	
6	BONNET		1	A351 CF8M	
5	BOLT		-	A193 B8M	
4	GASKET		1	SS+Graphite	
3	BALL		1	SS316	
2	SEAT		2	RPTFE	
1	BODY		1	A351 CF8M	
NO.	DESCRIPTION		Q' TY	MATERIAL	

<div style="text-align: center; font-size: 2em; font-weight: bold;">ANIX<sup>®</sup></div>				ANIX VALVE USA	
				Flange Ball Valve 300LB, CF8M, Fire Safe	
MARK	BEFORE MODIFIED	AFTER MODIFIED	DATE	SCALE	
DRA.		APP.			
CHK.		DATE			
				FBV42R6F/300	