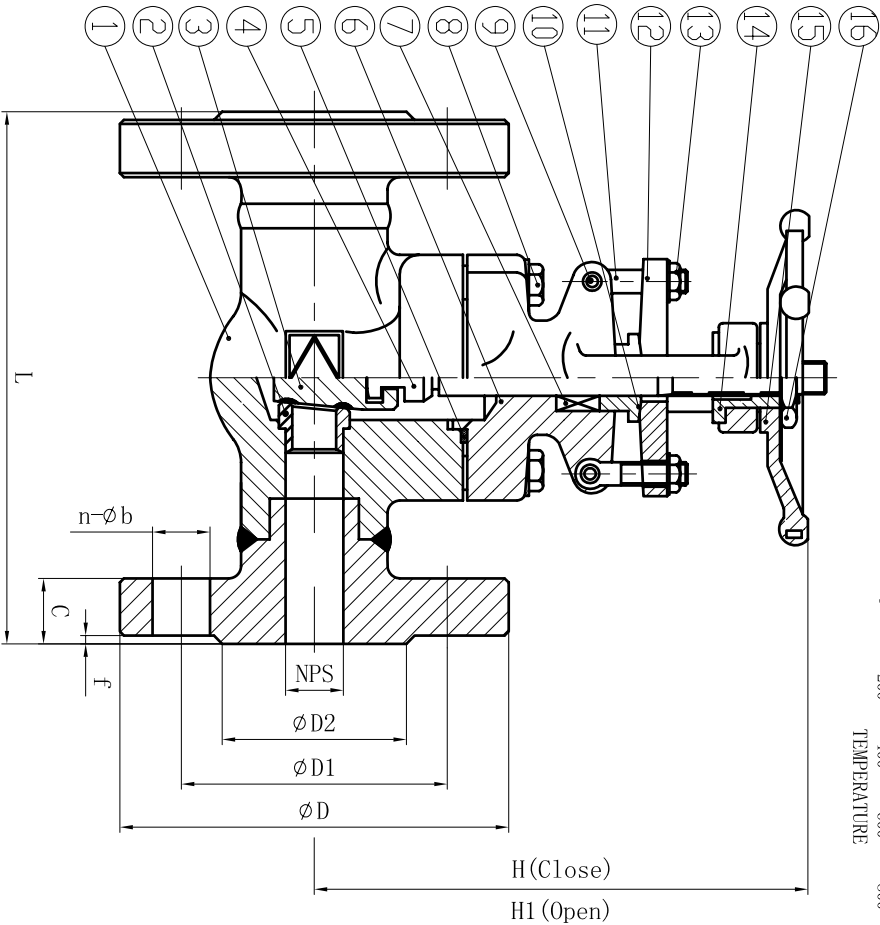


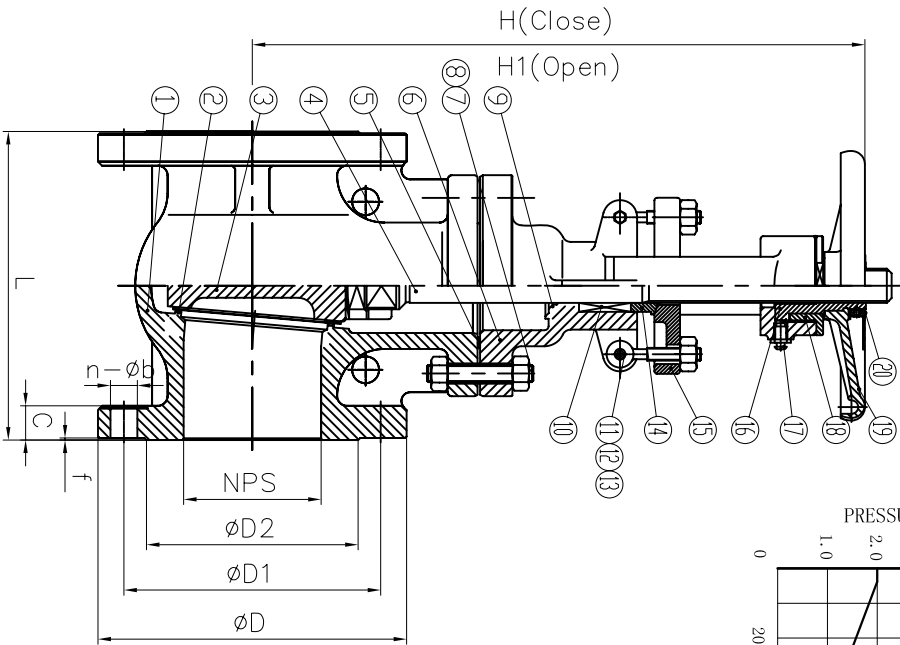
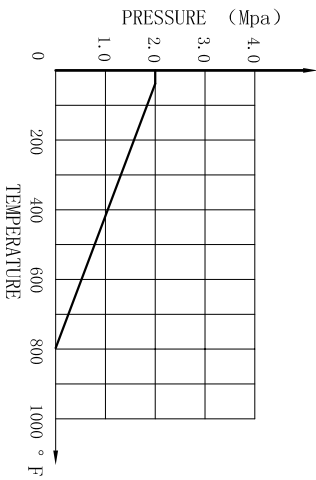
- NOTE:
1. Design and Manufacture for valve according to API 600.
 2. Face-to-face dimensions for valve according to ASME B16.10-2009.
 3. End flange dimensions for valve according to ASME B16.5-2009.
 4. Inspection and Test for valve according to API 598-2009.



NPS	L	D	D1	D2	C	F	n-Øb	H	H1	Weight (lb)
½"	4.252	3.504	2.382	1.378	0.394	0.063	4-Ø0.591	5.433	5.945	-
¾"	4.606	3.858	2.756	1.693	0.433	0.063	4-Ø0.591	5.591	6.220	-
1"	5.000	4.252	3.130	2.008	0.472	0.063	4-Ø0.591	6.693	7.480	-
1 ¼"	5.512	4.606	3.504	2.520	0.512	0.063	4-Ø0.591	7.480	8.543	-

Nominal pressure	Shell test		3.0 MPa	test medium	water	Test temperature	normal temperature
	Test pressure	seal test					
Applicable temperature	Applicable temperature	Gas seal test	0.6	air			
		water, oil, gas					

16	PREVAILING	1	35	
15	HANDWHEEL	1	KTH330-08	
14	STEM NUT	1	35	
13	NUT	2	35	
12	GLAND FLANGE	1	20	
11	EYE BOLT	2	35	
10	GLAND	1	20	
9	PIN	2	35	
8	BOLT	-	35	
7	PACKING	-	Graphite	
6	BONNET	1	ASTM A105	
5	GASKET	1	SS316+Graphite	
4	STEM	1	2Cr-13	
3	DISC	1	2Cr-13+STL+ENP	
2	SEAT RING	2	2Cr-13	
1	BODY	1	ASTM A105	
NO.	DESCRIPTION	Q'TY	MATERIAL	
			ANIX VALVE USA	
			Flange Gate Valve	
			150LB, A105	
			GA40HE5F/150	
MARK	BEFORE MODIFIED	AFTER MODIFIED	DATE	SCALE
DRA.		APP.		
CHK.		DATE		



- NOTE:
1. Design and Manufacture for valve according to API 600.
 2. Face-to-face dimensions for valve according to ASME B16.10-2009.
 3. End flange dimensions for valve according to ASME B16.5-2009.
 4. Inspection and Test for valve according to API 598-2009.

Nominal pressure	150LB		
	Shell test	Test pressure	Test medium
3.0	3.0	2.2	water
2.2	2.2	1.6	air
1.6	1.6	1.0	water, oil, gas
1.0	1.0	0.6	water, oil, gas
0.6	0.6	0.4	water, oil, gas
Applicable temperature	-20~797°F		

NPS	L	D	D1	D2	C	F	n-φb	H	H1	Weight(Lb)
1 1/2"	6.496	5.000	3.882	2.874	0.689	0.063	4-φ0.630	13.386	15.354	19.842
2"	7.008	5.984	4.744	3.622	0.748	0.063	4-φ0.748	13.780	16.142	40.124
2 1/2"	7.480	7.008	5.492	4.114	0.886	0.063	4-φ0.748	14.370	17.323	51.809
3"	7.992	7.480	6.004	5.000	0.945	0.063	4-φ0.748	17.717	21.260	68.343
4"	9.016	9.016	7.500	6.181	0.945	0.063	8-φ0.748	19.488	23.819	109.129
5"	10.000	10.000	8.504	7.303	1.024	0.063	8-φ0.866	21.654	26.969	127.868
6"	10.512	10.984	9.508	8.504	1.024	0.063	8-φ0.866	24.016	30.315	167.992
8"	11.496	13.504	11.752	10.630	1.142	0.063	8-φ0.866	30.709	39.173	275.578

NO.	DESCRIPTION	QTY	MATERIAL
1	BODY	1	A216 WCB
2	SEAT RING	2	A216+STL
3	WEDGE	1	A216+13Cr+ENP
4	STEM	1	A182 F6a
5	GASKET	1	SS304+Graphite
6	BONNET	1	A216 WCB
7	STUD	-	A193 B7
8	NUT	-	A194 2H
9	BACKSEAT	1	A216+13Cr
10	PACKING	1	Graphite
11	PIN	2	SS304
12	GLAND BOLT	2	A193 B7
13	GLAND NUT	2	A194 2H
14	BUSHING	1	A182 F6a
15	GLAND	1	A216 WCB
16	STEM NUT	1	ZcuAl10Fe3 Bronze
17	LUBRICATOR	1	Cu
18	RETAINING NUT	1	CS
19	HANDWHEEL	1	A47
20	H. W. LOCK NUT	1	CS

ANIX®

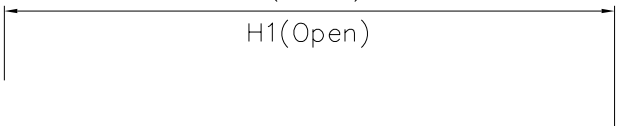
ANIX VALVE USA
Flange Gate Valve
150LB, WCB

GA40HE5F/150

- NOTE:
1. Design and Manufacture for valve according to API 600.
 2. Face-to-face dimensions for valve according to ASME B16.10-2009.
 3. End flange dimensions for valve according to ASME B16.5-2009.
 4. Inspection and Test for valve according to API 598-2009.

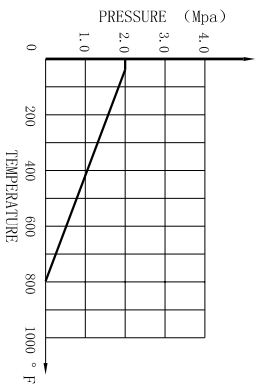
24	H. W. LOCK NUT		
23	HANDWHEEL		
22	RETAINING NUT		
21	LUBRICATOR		
	STEM NUT		
	BEARING	2	
	GLAND		CS

H(Close)
H1(Open)



14"	15.000	20.984	18.740	16.260	1.378	0.063	12- ϕ 1.142	49.213	63.583	-									
16"	15.984	23.425	21.260	18.504	1.457	0.063	12- ϕ 1.142	-	-	-									

YOKE	1	A216 WCB
NUT	-	A194 2H
STUD	-	A193 B7
	-	
	-	



Flange Gate Valve
150LB, WCB