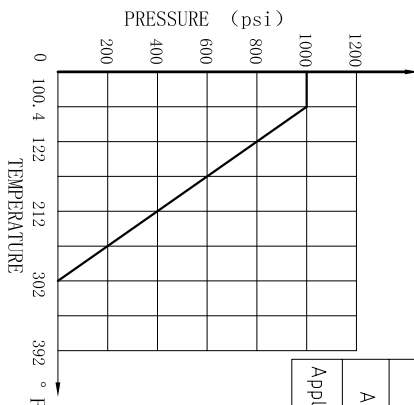
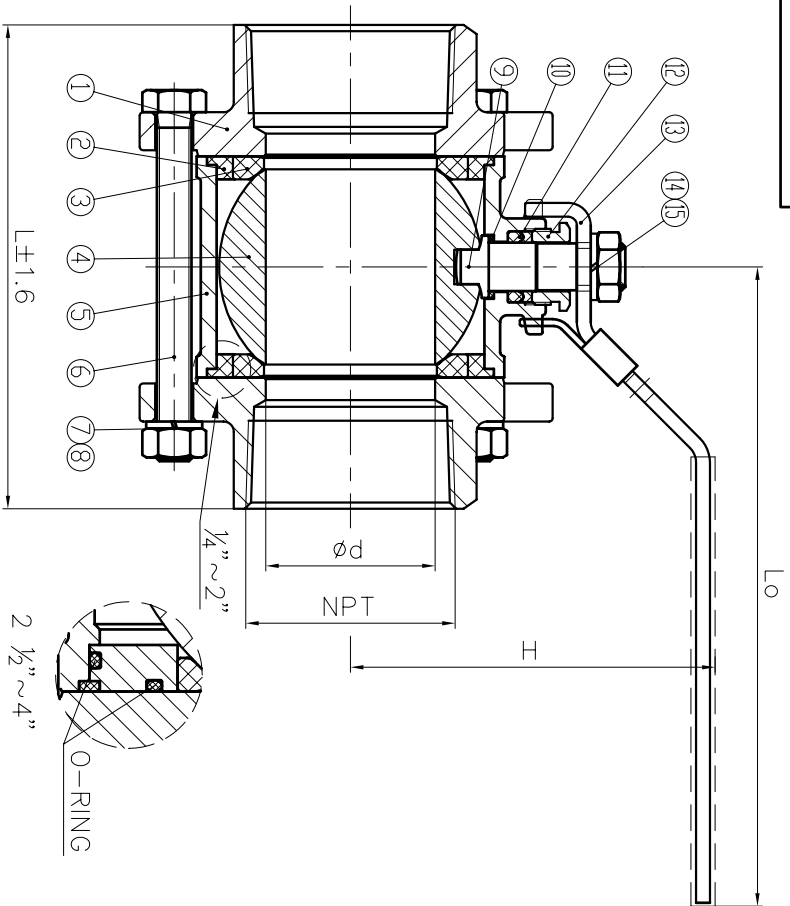


0001/N9F31A/B



Nominal pressure			1000Psi			
Test pressure	Shell test	10.4	Test medium	Water	Test temperature	Normal temperature
	Seal test	7.6		Air		
Gas seal test		0.6	Water, Oil, Gas			
Applicable medium			-20~302°F			
Applicable temperature						

NOTE:
 1. Design and Manufacture for valve according to ASME B16.34.
 2. Inspection and Test for valve according to API 598.
 3. The connection of screwed for valve according to ANSI B1.20.1.

NPS	L	d	NPT	Lo	H	Weight (lb)
1/4"	2.559	0.433	1/4"	3.740	1.909	0.860
3/8"	2.559	0.453	3/8"	3.740	1.909	0.816
1/2"	2.953	0.591	1/2"	4.134	2.126	1.124
3/4"	3.150	0.768	3/4"	4.724	2.579	1.433
1"	3.543	0.984	1"	5.512	2.835	1.918
1 1/4"	4.331	1.260	1 1/4"	5.906	3.189	3.527
1 1/2"	4.725	1.496	1 1/2"	6.693	3.780	4.277
2"	5.512	1.929	2"	7.283	4.134	6.548
2 1/2"	6.299	2.520	2 1/2"	8.662	4.724	12.236
3"	7.087	3.031	3"	10.630	5.295	17.196
4"	8.465	3.898	4"	12.402	6.181	28.594

15	NUT	1	A194 8
14	SPRING WASHER	1	304
13	HANDLE	1	STAINLESS STEEL
12	GLAND	1	304
11	PACKING	1	PTFE
10	STEM WASHER	1	PTFE
9	STEM	1	A276 316
8	NUT	-	A194 8
7	SPRING WASHER	-	304
6	HEXAGON HEAD BOLT	-	A193 B8
5	BODY	1	A351 CF8M
4	BALL	1	SS316
3	SEAT	2	PTFE
2	GASKET	2	PTFE
1	BONNET	2	A351 CF8M
NO.	DESCRIPTION	Q'TY	MATERIAL
MARK BEFORE MODIFIED		AFTER MODIFIED	
DRW.	APP.	DATE	SCALE
ANIX VALVE CO., LTD		3PC Ball Valve	
1000PSI, NPT		BV13F6N/1000	
CHK.	DATE		