

## DH-BVH12 Deadman Handle Ball Valve



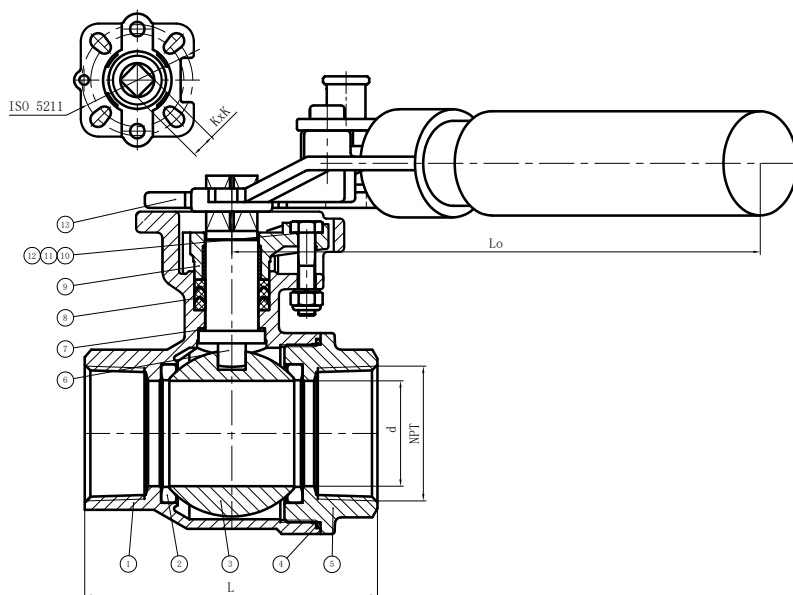
### GENERAL CHARACTERISTICS

- Full Port
- Blow-Out-Proof Stem Design
- Deadman Spring Return Handle.
- Design: ASME B16.34
- Test: API 598
- End Connection: Threaded NPT
- Thread Type ANSI B1.20.1 (NPT)
- ISO 7/1(BSPT.BSP)
- Working Pressure: 1000PSI
- Temperature Range:
  - -20° to 302°F - PTFE
  - -20° to 356°F - RPTFE
- Applicable Medium: Water, Oil, Gas



### Materials

NO.	DESCRIPTION	Q'TY	MATERIAL
13	HANDLE	1	A2-035
12	NUT	2	304
11	SPRING WASHER	2	A2-70
10	BOLT	2	STAINLESS STEEL
9	GLAND	1	CF8
8	PACKING	-	RPTFE
7	STEM WASHER	1	RPTFE
6	STEM	1	316
5	BONNET	1	CF8M
4	GASKET	1	RPTFE
3	BALL	1	316
2	SEAT	2	RPTFE
1	BODY	1	CF8M



### Dimensions

DN	L	d	NPT	ISO 5211	K	Lo
15	2.48	0.59	1/2"	F04	0.35	7.28
20	2.87	0.79	3/4"	F04	0.35	7.28
25	3.31	0.98	1"	F05	0.43	8.66
32	3.86	1.26	1 1/4"	F05	0.43	8.66
40	4.15	1.5	1 1/2"	F07	0.55	11.22
50	4.74	1.93	2"	F07	0.55	11.22

