

FBVH13 3-Piece Threaded Ball Valve, 2000 PSI

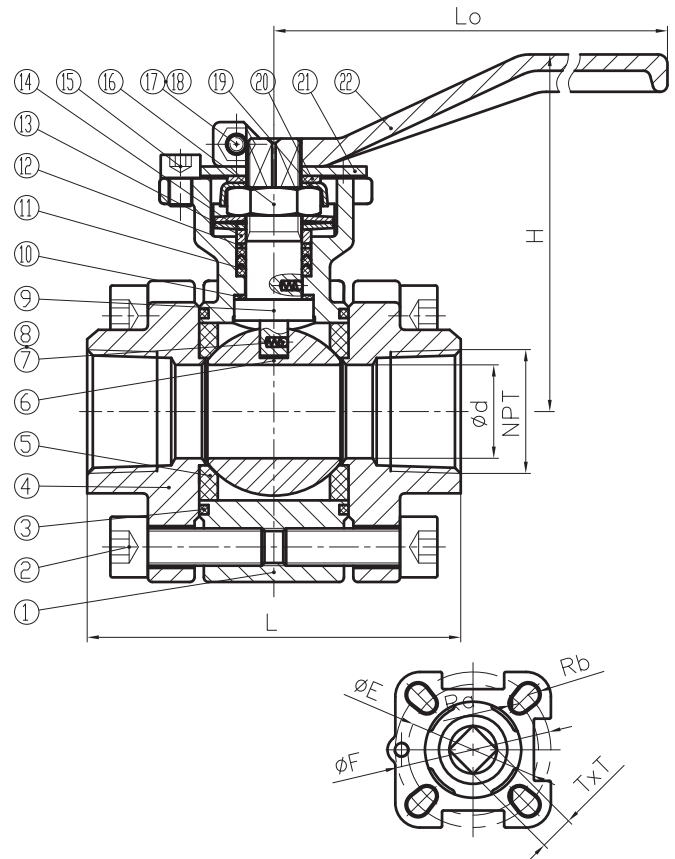


GENERAL CHARACTERISTICS

- Investment Casting Steel w/ Full Port Body
- Direct-Mounted Design (ISO 5211)
- NPT Threaded End Connection (ANSI B1.20.1)
- Lockable Handle
- Blow Out Proof Stem Design
- PTFE, R-PTFE, or High-Temp PTFE Seat Material
- Working Pressure of 2000 PSI
- Design Fully Complies with ASME B16.34
- Tested and Inspected in Accordance to API 598

Materials List

NO.	Description	Q'TY	Material
22	HANDLE	1	STAINLESS STEEL
21	STOPPER	1	304
20	WASHER 2	1	304
19	LOCATOR	1	304
18	NUT	1	A194 8
17	HEX SOCKET BOLT	1	A193 B8
16	NUT	1	A194 8
15	HEX SOCKET BOLT	1	A193 B8
14	BELLEVILL SPRING	2	301
13	WASHER 1	1	304
12	GRAPHITE PACKING	1	GRAPHITE
11	PACKING	-	PTFE
10	STEM WASHER	1	PTFE
9	STEM	1	A276 316
8	STEEL BALL	2	SS316
7	SPRING	2	SS316
6	BALL	1	SS316
5	SEAT	2	PTFE
4	BONNET	2	A351 CF8M
3	GASKET	2	PTFE
2	HEX SOCKET BOLT	-	A193 B8
1	BODY	1	A351 CF8M



Dimensions

NPS	L	d	NPT	Lo	H	E	F	a	b	T x T
1/4"	2.559	0.315	1/4"	5.512	2.697	1.417	1.654	0.118	0.118	0.354x0.354
3/8"	2.559	0.394	3/8"	5.512	2.697	1.417	1.654	0.118	0.118	0.354x0.354
1/2"	2.953	0.551	1/2"	5.512	2.697	1.654	1.654	0.118	0.118	0.354x0.354
3/4"	3.150	0.787	3/4"	5.512	3.012	1.654	1.654	0.118	0.118	0.354x0.354
1"	3.543	0.984	1"	6.496	3.406	1.654	1.969	0.118	0.138	0.433x0.433
1 1/4"	4.331	1.260	1 1/4"	6.496	3.563	1.654	1.969	0.118	0.138	0.433x0.433
1 1/2"	4.724	1.575	1 1/2"	8.268	3.996	1.969	2.756	0.138	0.177	0.551x0.551
2"	5.512	1.969	2"	8.268	4.291	1.969	2.756	0.138	0.177	0.551x0.551