

BV13 Oval Handle 3-Piece Threaded Ball Valve 1000 PSI

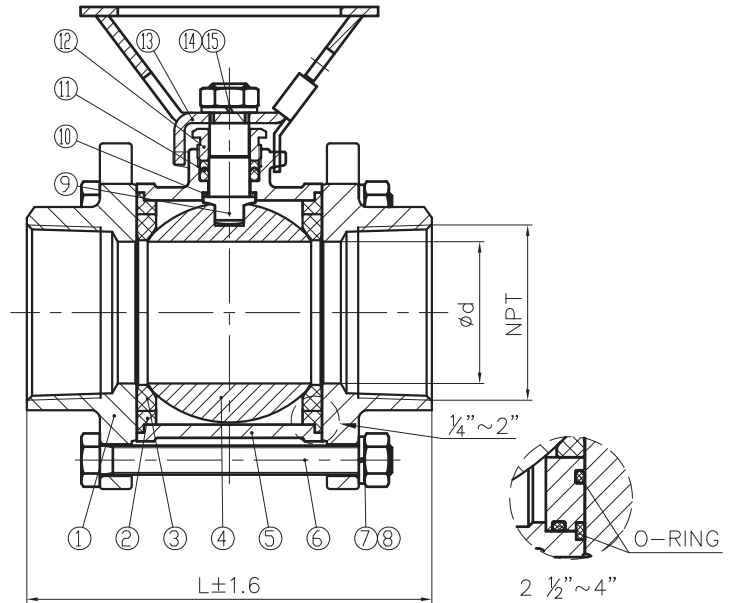


GENERAL CHARACTERISTICS

- Investment Casting Stainless Steel w/ Full Port Body
- NPT Threaded End Connection (ANSI B1.20)
- Oval Handle
- Blow-Out-Proof Stem Design
- Available in PTFE & R-PTFE Seat Material
- Design Fully Complies with ASME B16.34
- Tested in Accordance to API 598

Materials List

15	NUT	1	A194 8
14	SPRING WASHER	1	304
13	HANDLE	1	STAINLESS STEEL
12	GLAND	1	304
11	PACKING	1	PTFE
10	STEM WASHER	1	PTFE
9	STEM	1	A276 316
8	NUT	1	A194 8
7	SPRING WASHER	1	304
6	HEXAGON HEAD BOLT	1	A193 B8
5	BODY	1	A351 CF8M
4	BALL	1	SS316
3	SEAT	2	PTFE
2	GASKET	1	PTFE
1	BONNET	1	A351 CF8M



Dimensions

NPS	L	d	NPT	Weight (lb)
1/4"	2.559	0.433	1/4"	0.860
3/8 "	2.559	0.453	3/8"	0.816
1/2"	2.953	0.591	1/2"	1.124
3/4"	3.150	0.768	3/4"	1.433
1"	3.543	0.984	1"	1.918
1 1/4"	4.331	1.260	1 1/4"	3.527
1 1/2"	4.725	1.496	1 1/2"	4.277
2"	5.512	1.929	2"	6.548
2 1/2"	6.299	2.520	2 1/2"	12.236
3"	7.087	3.031	3"	17.196
4"	8.465	3.898	4"	28.594

