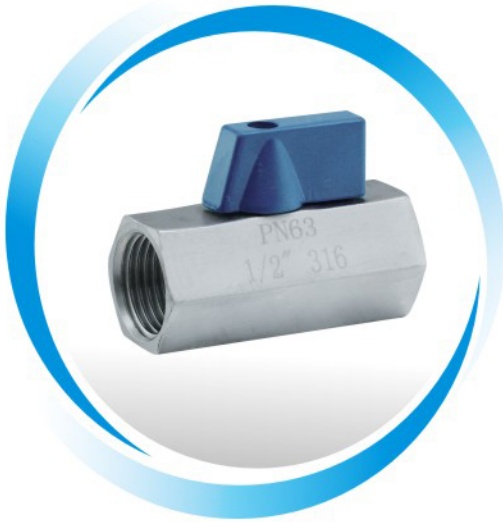


## BV1(2/3)0-Mini Threaded Ball Valve-1000Psi



### GENERAL CHARACTERISTICS

- Reduced-port
- Blow-out-proof stem design
- Design:ASME B16.34
- Test:API 598
- End Connections:Threaded End
- Threaded Type:  
ANSI B1.20.1(NPT)  
ISO 7/1(BSPT,BSP)

### WORKING CONDITIONS

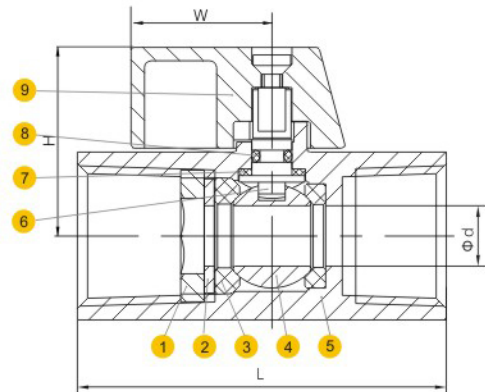
- Working Pressure:1000Psi
- Temperature Range:  
-20° to 302°F-PTFE  
-20° to 356°F-RPTFE
- Applicable medium:Water,Oil,Gas



### MATERIALS LIST

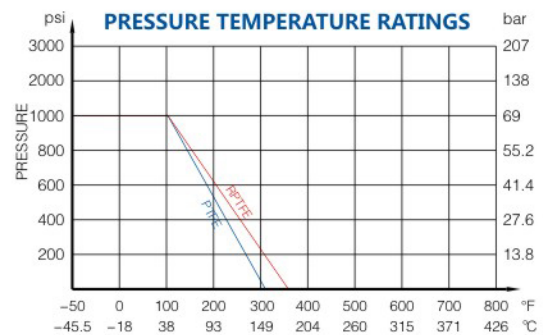
No.	DESCRIPTION	Q'TY	MATERIAL	MATERIAL
9	HANDLE	1	Aluminum Alloy	Aluminum Alloy
8	O-RING	1	VITON	VITON
7	STEM WASHER	1	PTFE	RPTFE
6	STEM	1	SS316	SS316
5	BODY	1	F316	F316
4	BALL	1	SS316	SS316
3	SEAT	2	PTFE	RPTFE
2	GASKET	1	SS316	SS316
1	NUT/BONNET	1	SS316	SS316
No.	DESCRIPTION	Q'TY	MATERIAL	

Note:Please contact us for other material requirements.



### DIMENSIONS:Thread F/F

SIZE	d	L	H	W	Weight(lb)
1/4"	0.20	1.65	0.98	0.83	-
3/8"	0.28	1.77	1.06	0.83	-
1/2"	0.35	2.17	1.12	0.83	-
3/4"	0.47	2.20	1.30	0.87	-
1	0.59	2.60	1.40	0.87	-



### DIMENSIONS:Thread M/M

SIZE	d	L	H	W	Weight(lb)
1/4"	0.20	2.24	0.98	0.83	-
3/8"	0.28	2.36	1.06	0.83	-
1/2"	0.35	2.80	1.12	0.83	-
3/4"	0.47	2.83	1.30	0.87	-
1	0.59	3.27	1.40	0.87	-

### DIMENSIONS:Thread F/M

SIZE	d	L	H	W	Weight(lb)
1/4"	0.20	1.81	0.98	0.83	-
3/8"	0.28	1.89	1.06	0.83	-
1/2"	0.35	2.20	1.12	0.83	-
3/4"	0.47	2.20	1.30	0.87	-
1	0.59	2.60	1.40	0.87	-