

## BVH14(5)-3 Way L/T Port Threaded Ball Valve-1000Psi



### GENERAL CHARACTERISTICS

- Reduced-port
- Blow-out-proof stem design
- Padlocking device
- High Mounting pad:ISO 5211
- Design:ASME B16.34
- Test:API 598
- End Connections:Threaded End
- Threaded Type:  
ANSI B1.20.1(NPT)  
ISO 7/1(BSPT,BSP)

### WORKING CONDITIONS

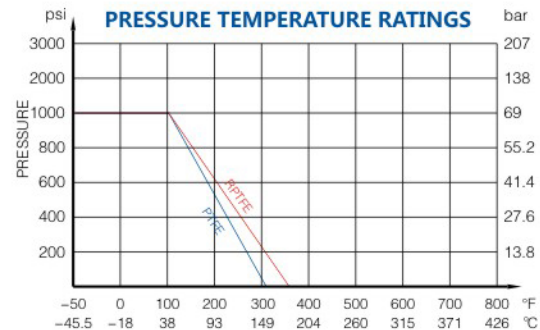
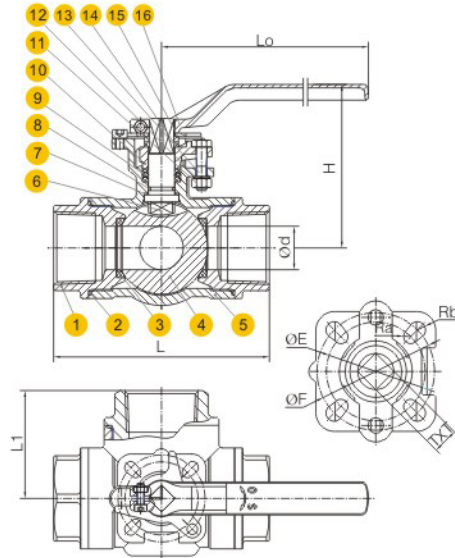
- Working Pressure:1000Psi
- Temperature Range:  
-20° to 302°F-PTFE  
-20° to 356°F-RPTFE
- Applicable medium:Water,Oil,Gas



### MATERIALS LIST

16	HANDLE	1	Steel	Steel
15	STOPPER	1	SS304	SS304
14	HANDLE WASHER	2	PVC	PVC
13	BOLT	2	A193 B8	A193 B8
12	SPRING WASHER	2	SS304	SS304
11	NUT	2	A194 8	A194 8
10	GLAND	1	A351 CF8	A351 CF8
9	PACKING	-	PTFE	RPTFE
8	O-RING	1	VITON	VITON
7	STEM WASHER	1	PTFE	RPTFE
6	STEM	1	A276 316	A276 316
5	BODY	1	A351 CF8M	A351 CF8M
4	BALL	1	SS316	SS316
3	SEAT	4	PTFE	RPTFE
2	GASKET	3	PTFE	RPTFE
1	BONNET	3	A351 CF8M	A351 CF8M
No.	DESCRIPTION	Q'TY	MATERIAL	

Note:Please contact us for other material requirements.



### DIMENSIONS-1000Psi

SIZE	d	L	L1	H	Lo	E	F	Ra	Rb	TXT	Weight(lb)	Torque(lbf · in)
1/2"	0.47	2.91	1.46	2.76	5.12	1.42	1.65	0.12	0.12	0.35x0.35	1.422	62
3/4"	0.59	3.46	1.73	2.99	5.12	1.42	1.65	0.12	0.12	0.35x0.35	2.094	97
1"	0.79	3.62	1.81	3.41	5.91	1.65	1.97	0.12	0.14	0.43x0.43	2.976	124
1 1/4"	0.98	4.88	2.44	3.7	5.91	1.65	1.97	0.12	0.14	0.43x0.43	5.423	212
1 1/2"	1.26	5.43	2.72	4.53	8.27	1.97	2.76	0.14	0.18	0.55x0.55	8.267	283
2"	1.5	6.06	3.03	5.12	9.45	1.97	2.76	0.14	0.18	0.55x0.55	10.692	336