

## BVH63-Butt Welding Ball Valve-1000Psi



### GENERAL CHARACTERISTICS

- Full bore
- Blow-out-proof stem design
- Padlocking device
- High Mounting pad:ISO 5211
- Design:ASME B16.34
- Test:API 598
- End Connections:  
Butt welding End

### WORKING CONDITIONS

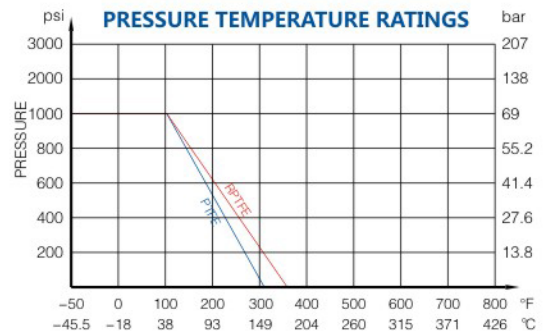
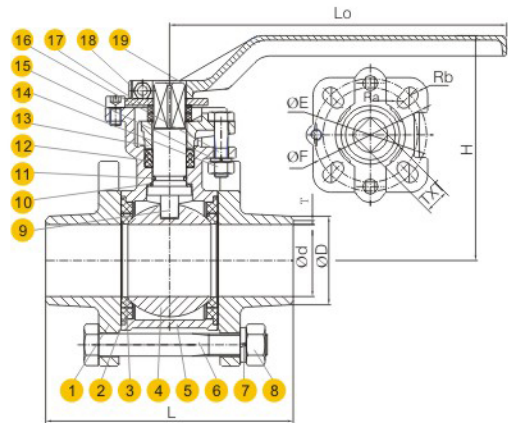
- Working Pressure:1000Psi
- Temperature Range:  
-20° to 302°F-PTFE  
-20° to 356°F-RPTFE
- Applicable medium:Water,Oil,Gas



### MATERIALS LIST

19	HANDLE	1	Steel	Steel
18	STOPPER	1	SS304	SS304
17	HANDLE WASHER	2	PVC	PVC
16	BOLT	2	A193 B8	A193 B8
15	SPRING WASHER	2	304	304
14	NUT	2	A194 8	A194 8
13	GLAND	1	A351 CF8	A351 CF8
12	PACKING	-	PTFE	RPTFE
11	O-RING	1	VITON	VITON
10	STEM WASHER	1	PTFE	RPTFE
9	STEM	1	A276 316	A276 316
8	NUT	-	A194 8	A194 8
7	SPRING WASHER	-	304	304
6	BOLT	-	A193 B8	A193 B8
5	BODY	1	A351 CF8M	A351 CF8M
4	BALL	1	SS316	SS316
3	SEAT	2	PTFE	RPTFE
2	GASKET	2	PTFE	RPTFE
1	BONNET	2	A351 CF8M	A351 CF8M
No.	DESCRIPTION	QTY	MATERIAL	

Note:Please contact us for other material requirements.



### DIMENSIONS-1000Psi

SIZE	L	d	D	T	Lo	H	E	F	a	b	TXT	Weight(lb)	Torque(lbf · in)
1/2"	2.95	0.59	0.87	0.06	5.12	3.21	1.42	1.65	0.12	0.12	0.35x0.35	-	44
3/4"	3.15	0.77	1.05	0.06	5.12	3.21	1.42	1.65	0.12	0.12	0.35x0.35	-	62
1"	3.54	0.98	1.34	0.06	5.91	3.31	1.65	1.97	0.12	0.14	0.43x0.43	-	88
1 1/4"	4.33	1.26	1.66	0.06	5.91	3.56	1.65	1.97	0.12	0.14	0.43x0.43	-	133
1 1/2"	4.72	1.5	1.9	0.06	7.87	3.94	1.97	2.76	0.14	0.18	0.55x0.55	-	195
2"	5.51	1.93	2.41	0.06	7.87	4.65	1.97	2.76	0.14	0.18	0.55x0.55	-	265
2 1/2"	6.3	2.52	2.88	0.06	9.45	5.43	2.76	2.76	0.18	0.18	0.55x0.55	-	460
3"	7.09	3.03	3.5	0.06	10.63	6.5	2.76	4.02	0.18	0.22	0.67x0.67	-	761
4"	8.46	3.9	4.5	0.06	12.6	8.15	2.76	4.02	0.18	0.22	0.87x0.87	-	1097