

CV13W-3PC Spring Loaded Check Valve-40bar



GENERAL CHARACTERISTICS

- Full bore
- Design: ASME B16.34
- Test: API 598
- End Connections:
Threaded End
- Threaded Type:
ANSI B1.20.1(NPT)
ISO 7/1(BSPT,BSP)

WORKING CONDITIONS

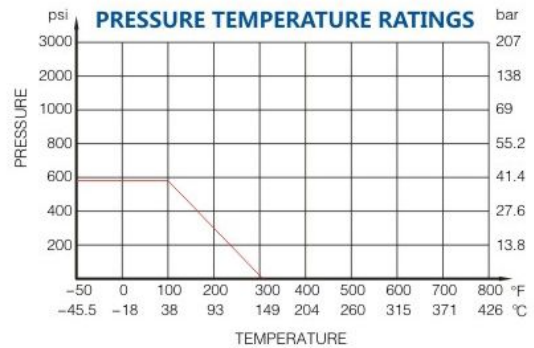
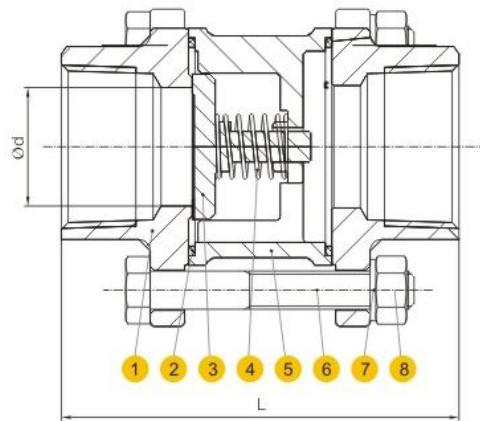
- Working Pressure: 40bar
- Temperature Range: -20° to 302°F
- Applicable medium: Water, Oil, Gas



MATERIALS LIST

NO.	DESCRIPTION	Q'TY	MATERIAL
8	NUT	-	A194 8
7	SPRING WASHER	-	304
6	HEXAGON HEAD BOLT	-	A193 B8
5	BODY	1	A351 CF8M
4	SPRING	1	SS316
3	DISC	1	A351 CF8M
2	GASKET	2	PTFE
1	BONNET	2	A351 CF8M

Note: Please contact us for other material requirements.



DIMENSIONS -40bar

SIZE	L	d	Weight(lb)
1/4"	2.95	0.43	0.88
3/8"	2.95	0.43	0.88
1/2"	2.95	0.55	0.88
3/4"	3.15	0.75	1.06
1"	3.39	0.94	1.38
1 1/4"	4.09	1.22	1.92
1 1/2"	4.53	1.54	3.4
2"	4.8	1.93	4.86