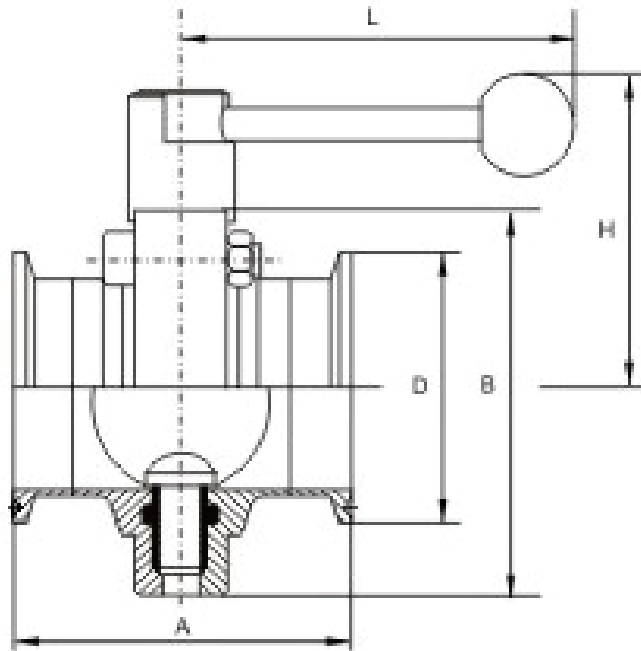


SS316L Clamp End Sanitary Butterfly Valve - Pull Handle



GENERAL CHARACTERISTICS

- 316L Sanitary Grade Stainless Steel Material
- Clamp End Connection
- EPDM Seat
- 145 psi Max Working Pressure
- 15°F to 200°F Temperature Range
- Compliant with 3A Sanitary Standard
- Pull Handle



Dimensions

SIZE	A	B	D	L	H	Weight(lb)
3/4"	1.97	3.07	0.75	5.12	3.23	2.65
1"	1.97	3.07	1	5.12	3.23	2.65
1 1/4"	1.97	3.07	1.25	5.12	3.23	2.31
1 1/2"	1.97	3.39	1.5	5.12	3.39	2.65
2"	2.05	4.02	2	5.51	3.78	3.75
2 1/2"	2.2	4.53	2.5	5.91	4.06	4.63
3"	2.2	5.04	3	5.91	4.33	5.29
3 1/2"	2.36	5.47	3.5	6.69	4.57	5.95
4"	2.52	6.06	4	6.69	4.8	6.72
4 1/4"	2.52	6.26	4.25	6.69	4.96	6.94
5"	3.15	7.28	5.24	7.48	5.43	11.46
6"	3.54	8.46	6.26	7.48	6.02	20.28